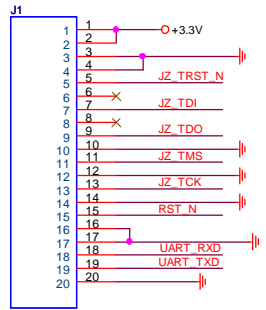
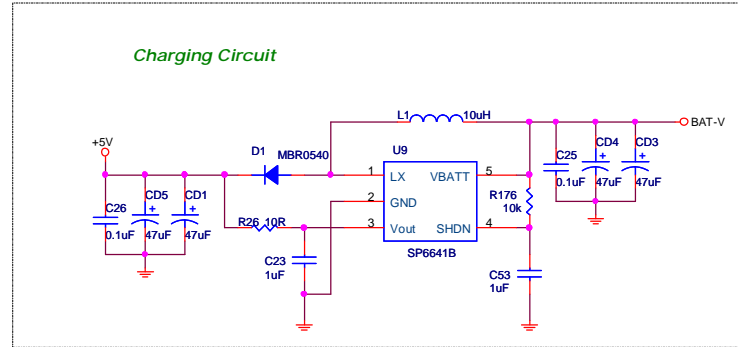
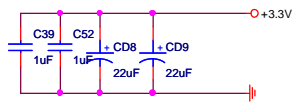


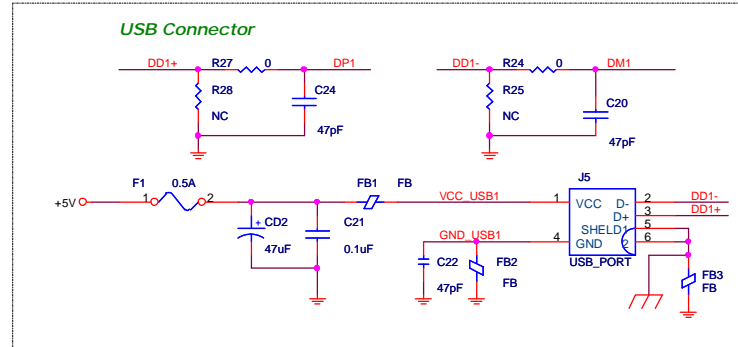
JDI & Uart & SPI & USB Con



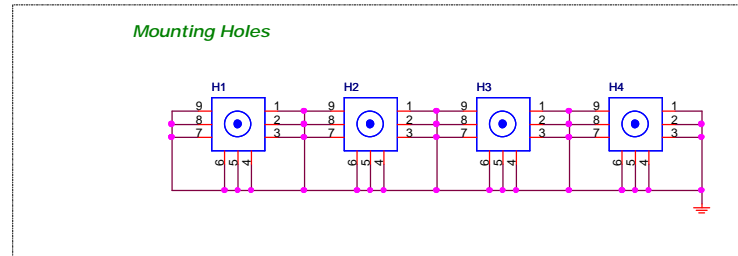
JDI & Uart & SPI & U



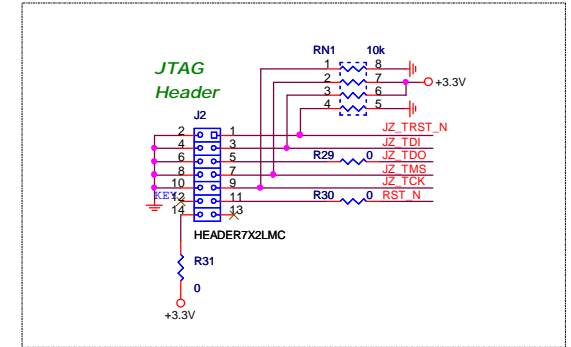
Charging Circuit



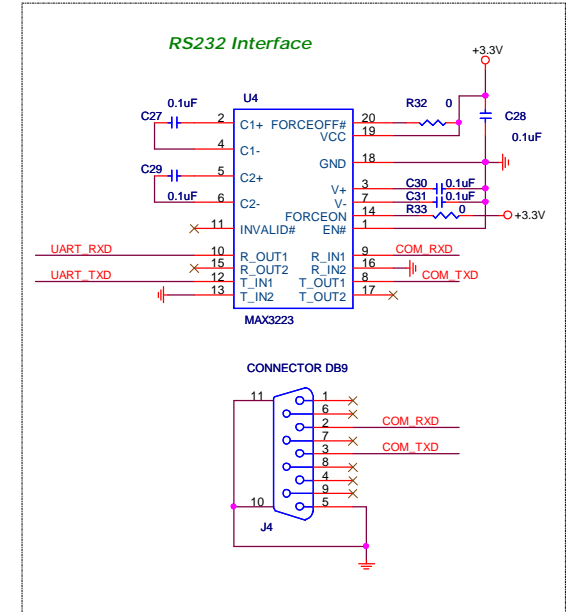
USB Connector



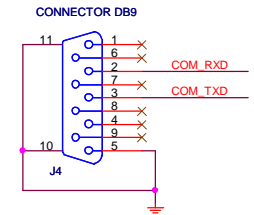
Mounting Holes



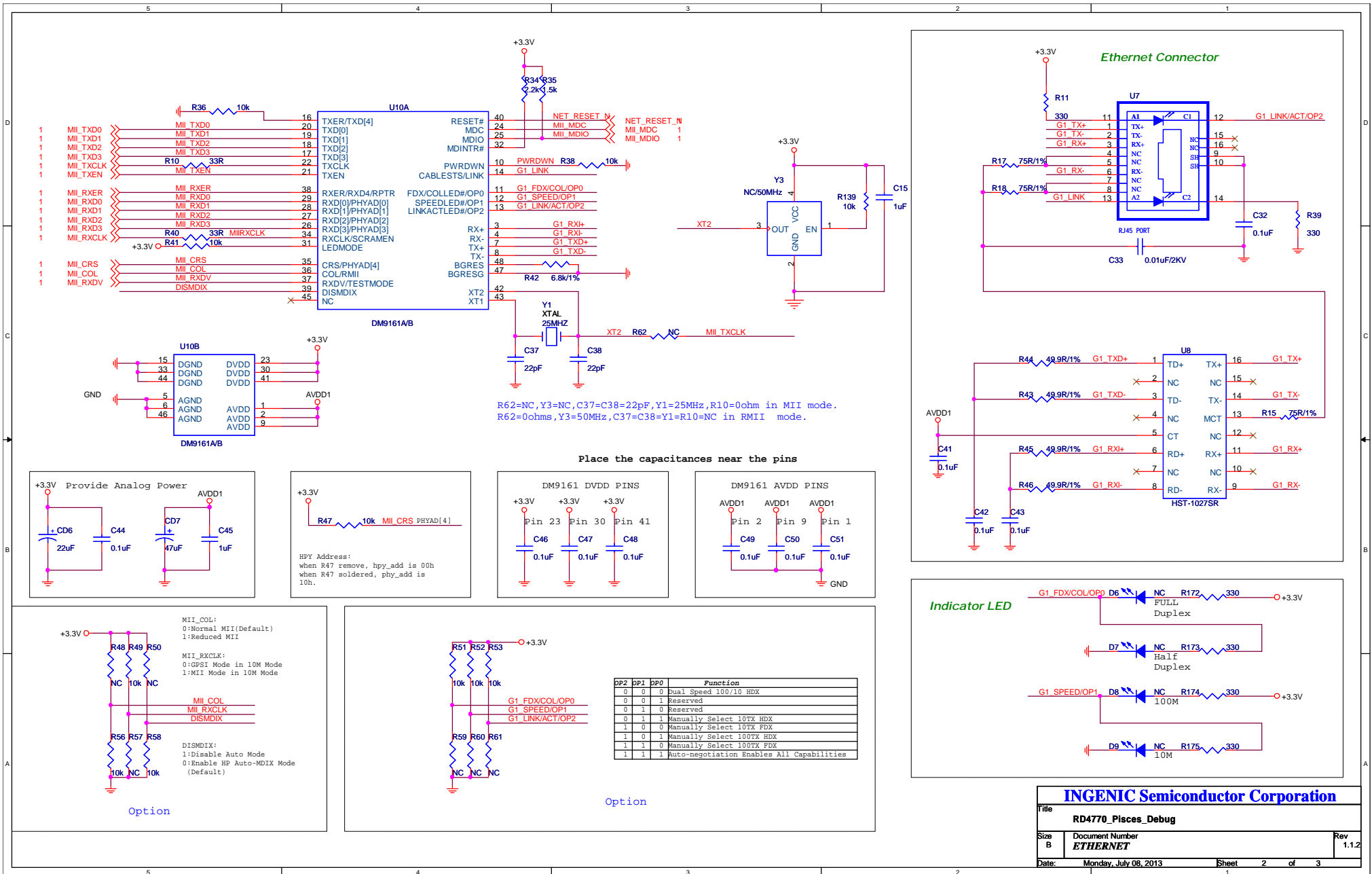
JTAG Header



RS232 Interface



INGENIC Semiconductor Corporation			
Title: RD4770_Places_Debug			
Size B	Document Number	Rev 1.1.2	
Date: Monday, July 08, 2013		Sheet	1 of 3



Data	Revision	Change
Apr.28 2011	Rev1.0	1. First released Revision
May.23 2011	Rev1.1	1. Add R10 and Y3, R139, C15 for RMII. 2. Add R176 and C53.
Feb.21 2012	Rev1.1.1	1. Delete FB4, because DM9161A AVDD is power output.
July.4 2013	Rev1.1.2	1. Modify the design of U8. 2. Connect the end of R42 to ground. 3. NC R25 and R28

INGENIC Semiconductor Corporation		
Title	RD4770_Plsces_Debug	
Size	Document Number	Rev
B	REVISION HISTORY	1.1.2
Date:	Monday, July 08, 2013	Sheet 3 of 3