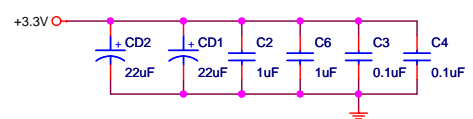
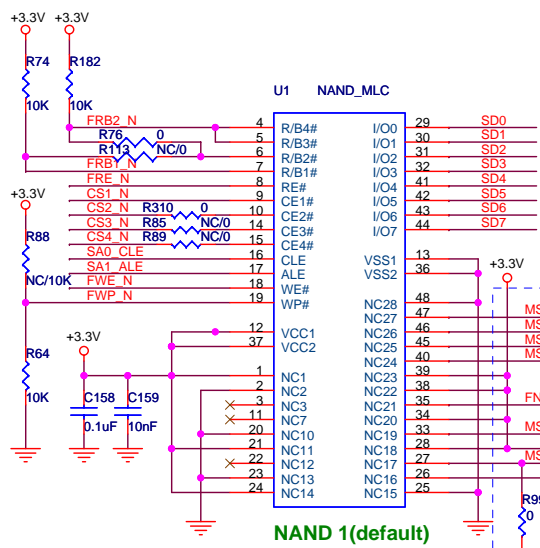
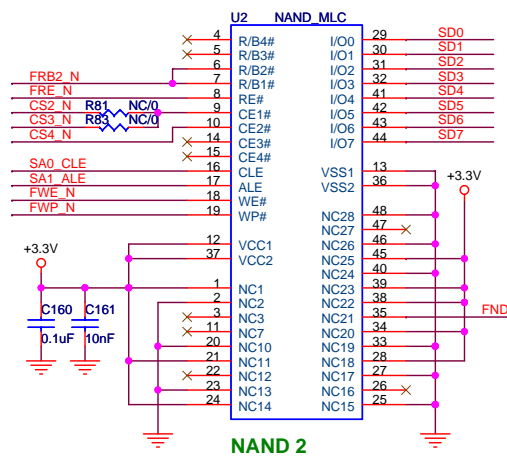
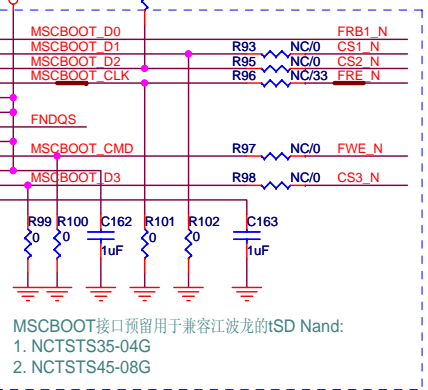


NAND选型时片选使用注意事项

| 器件编号 | 单贴单片选 | 单贴双片选 | 单贴4片选 | 双贴单片选 | 双贴双片选 |
|----------|-------|---------|---------|---------|---------|
| R76 | NC | 0R 0402 | NC | NC | NC |
| R81 | NC | NC | NC | 0R 0402 | NC |
| R83 | NC | NC | NC | NC | 0R 0402 |
| R85, R89 | NC | NC | 0R 0402 | NC | NC |
| R113 | NC | NC | 0R 0402 | 0R 0402 | 0R 0402 |
| R310 | NC | 0R 0402 | 0R 0402 | NC | 0R 0402 |



Surround with Gnd



| 器件编号 | NAND MLC | TSD NAND | EMMC NAND |
|--|----------|----------|-----------|
| R93, R95 R97, R98 | NC | 0 | NC |
| R96 | NC | 33 | NC |
| R65, R69 R70, R71 | NC | 10K | NC |
| R16 | NC | NC | 33 |
| R7, R8, R9 R10, R11, R12 R13, R14, R15 | NC | NC | 10K |