



PAVO

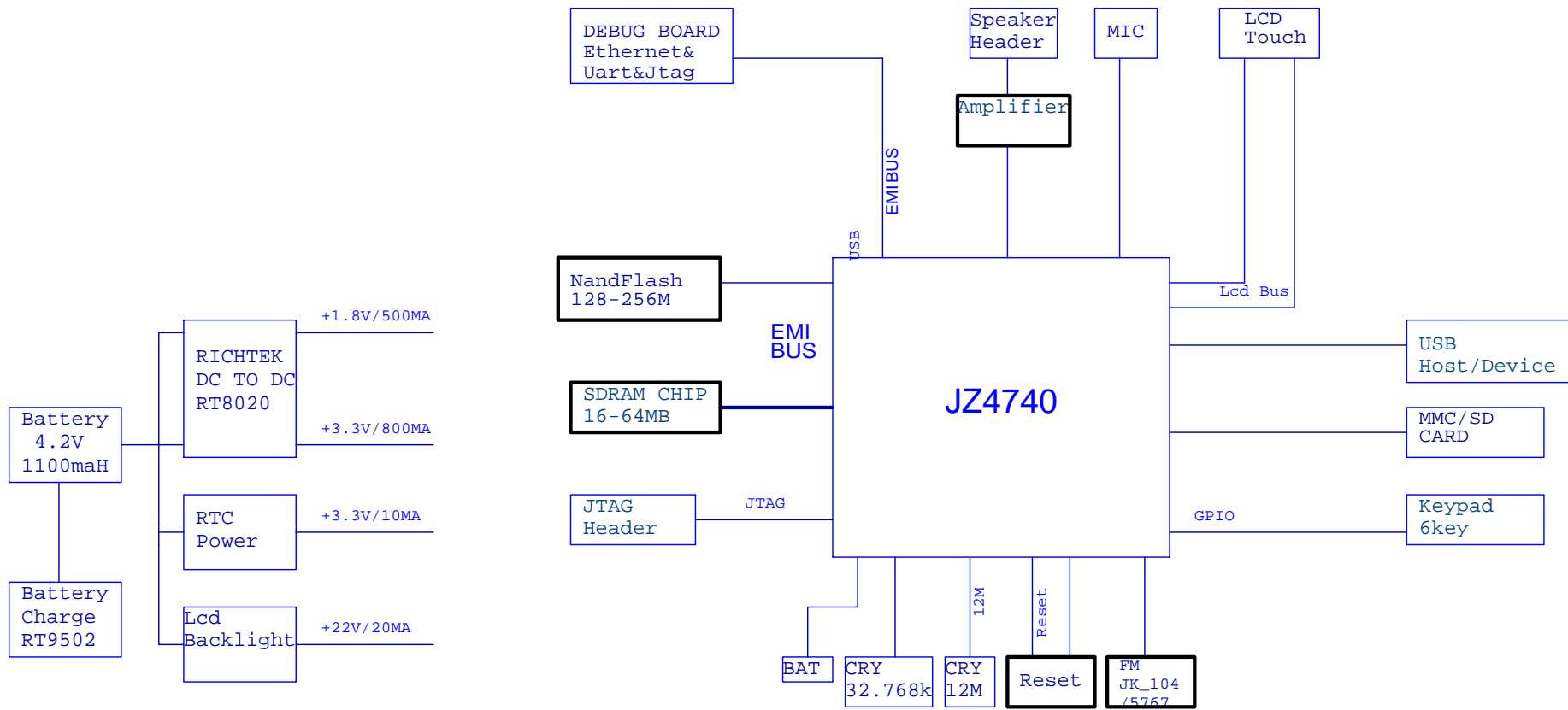
RD4740_PAVO Development Board for Jz4740

Schematic Revision 1.3

Title	Page
Cover Sheet	1
System Architecture	2
Memory & FLASH	3
Power RESET & RTC & JTAG	4
LCD & SD CARD	5
AUDIO	6
Revision History	7

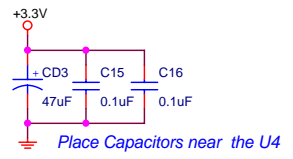
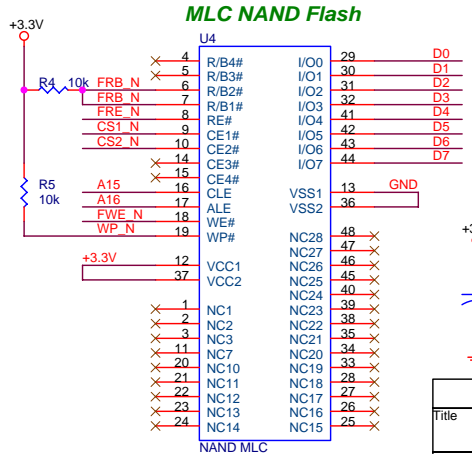
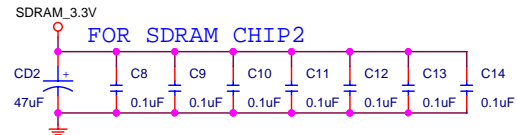
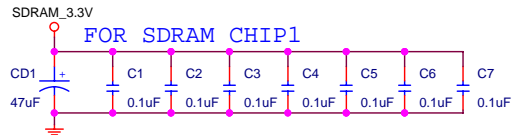
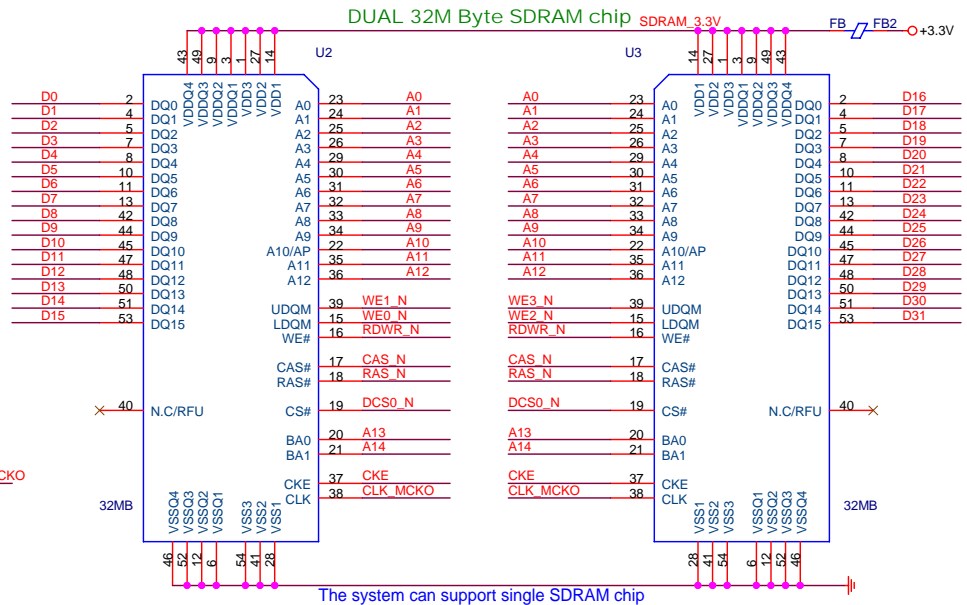
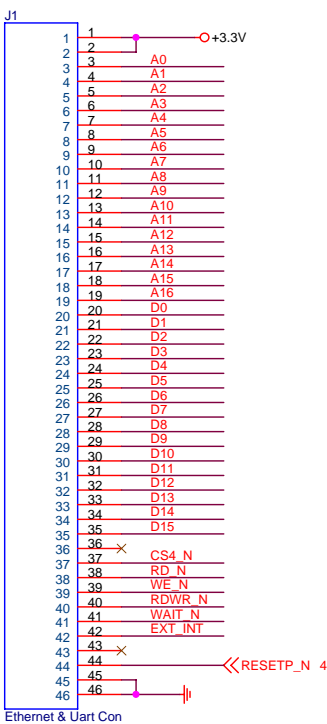
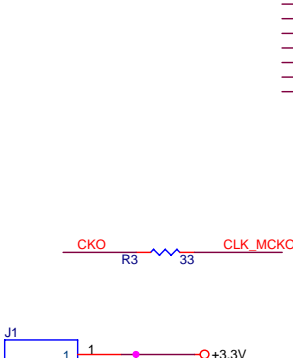
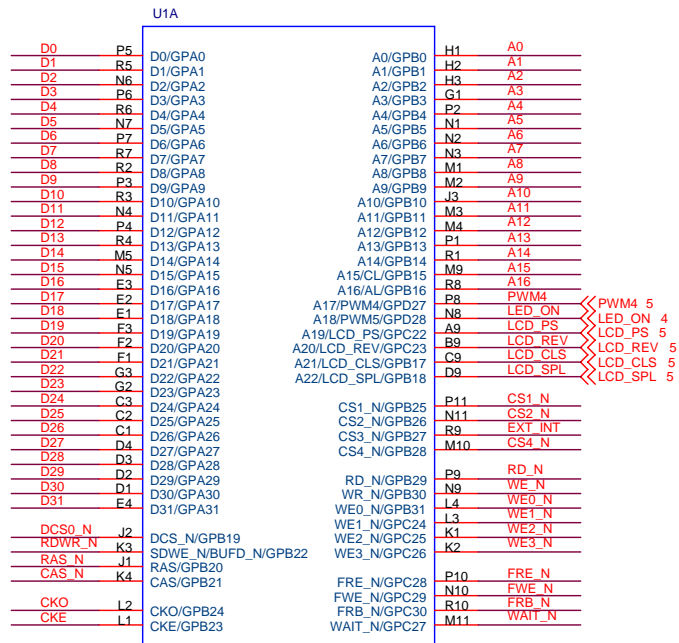
INGENIC Semiconductor Co.Ltd
System Technology Department
Release Data:
2007.11.1

INGENIC Semiconductor Co. Ltd		
Title RD4740_PMP Development Board		
Size B	Document Number COVER	Rev 1.3
Date: Monday, November 05, 2007	Sheet 1	of 7



INGENIC Semiconductor Co. Ltd

Title		
RD4740_PMP Development Board		
Size	Document Number	Rev
B	System Architecture	1.3
Date:	Monday, November 05, 2007	Sheet 2 of 7



INGENIC Semiconductor Co. Ltd

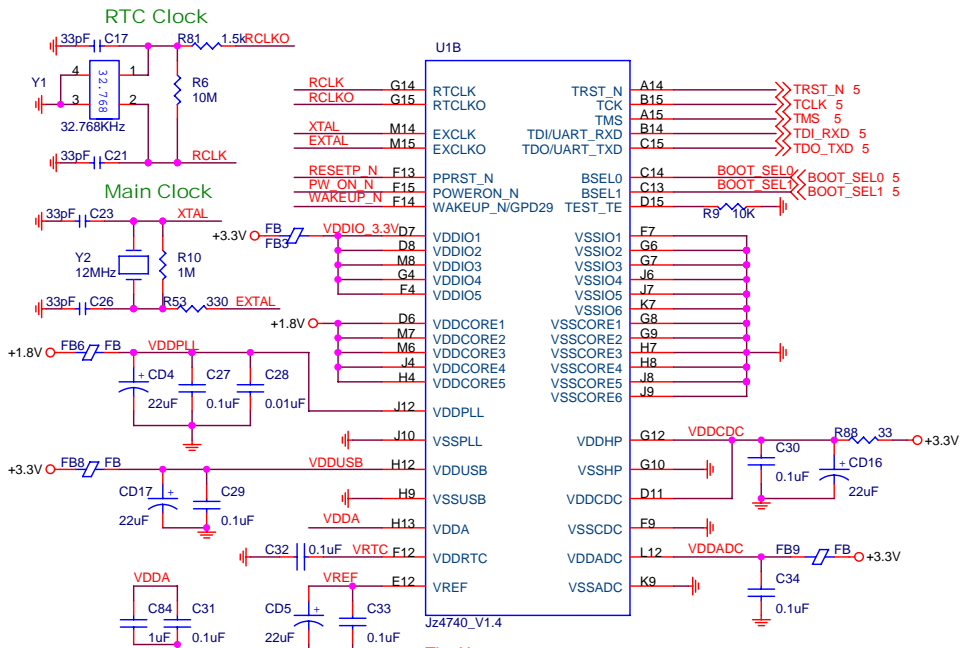
Title: RD4740_PMP Development Board

Size: B Document Number

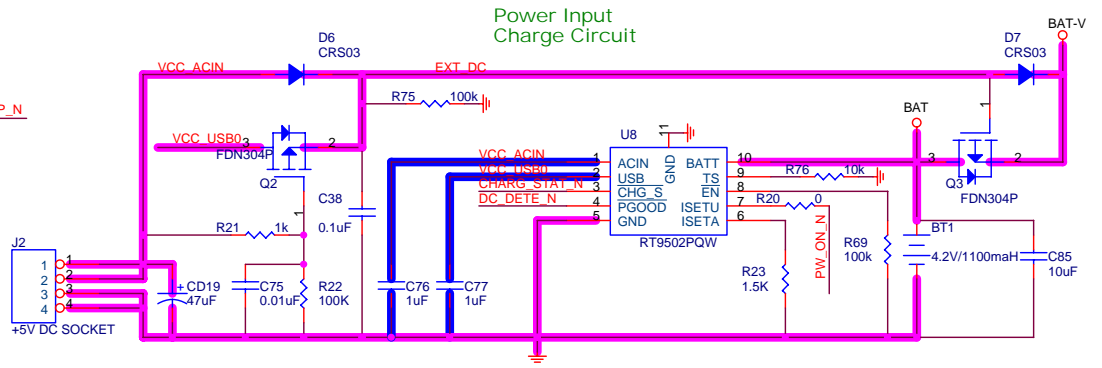
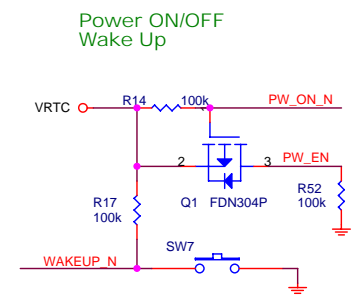
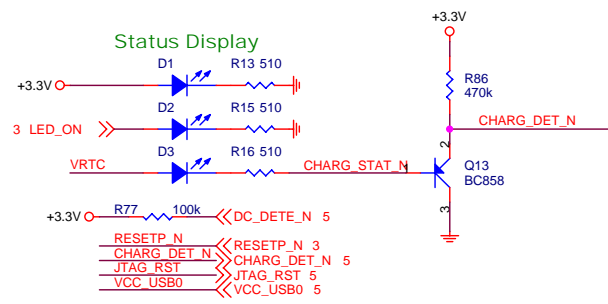
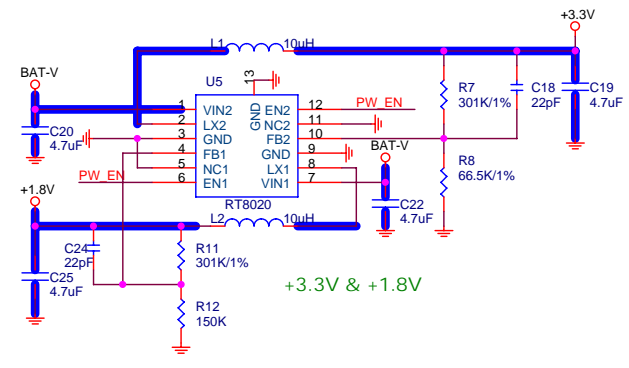
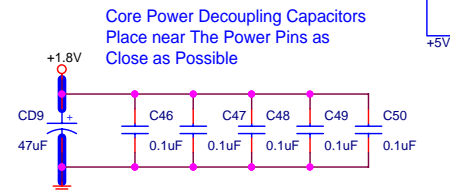
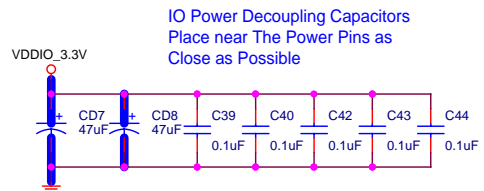
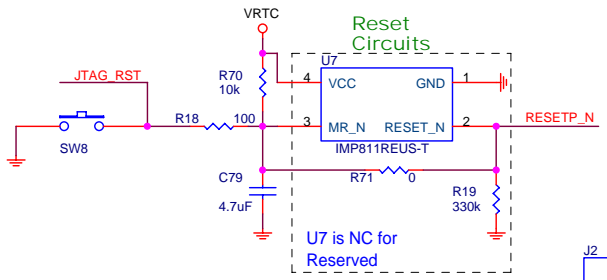
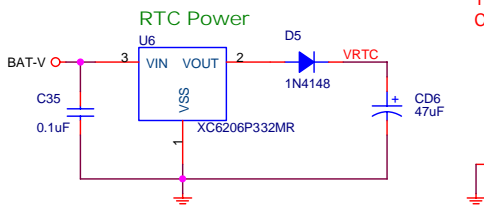
Rev: 1.3

Date: Monday, November 05, 2007

Sheet: 3 of 7



The Net:
EXTAL, XTAL, RCLK, RCLK, VDDPLL, VDDUSB, VDDA, VREF, VRTC, VDDADC, VDDCDC should be as short and wide as possible.
The capacitor:
C27, C28, C29, C30, C31, C32, C33, C34 should be placed close to CPU Pin.



40mil 以上
20mil 以上

INGENIC Semiconductor Co. Ltd		
RD4740_PMP Development Board		
Size	Document Number	Rev
B	Power & RESET & RTC & JTAG	1.3
Date:	Thursday, November 29, 2007	Sheet 4 of 7

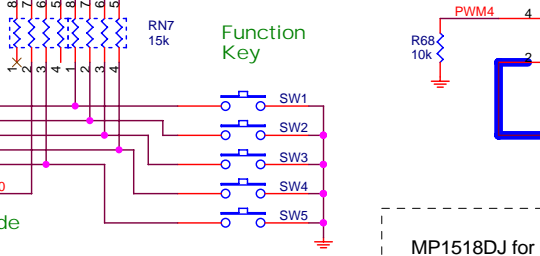
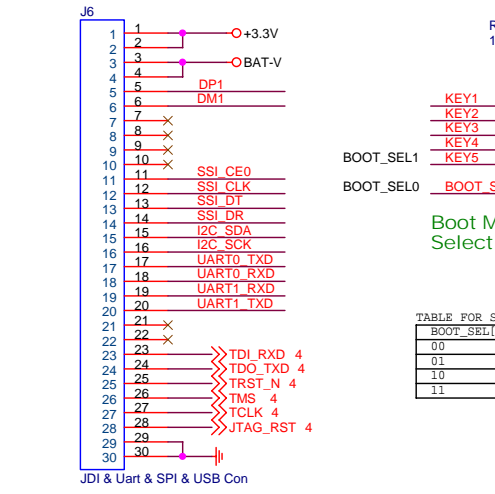
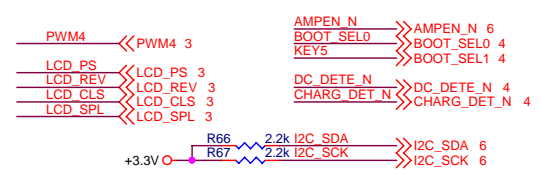
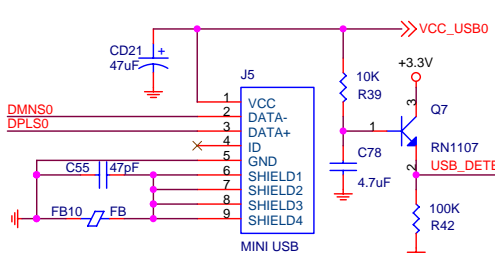
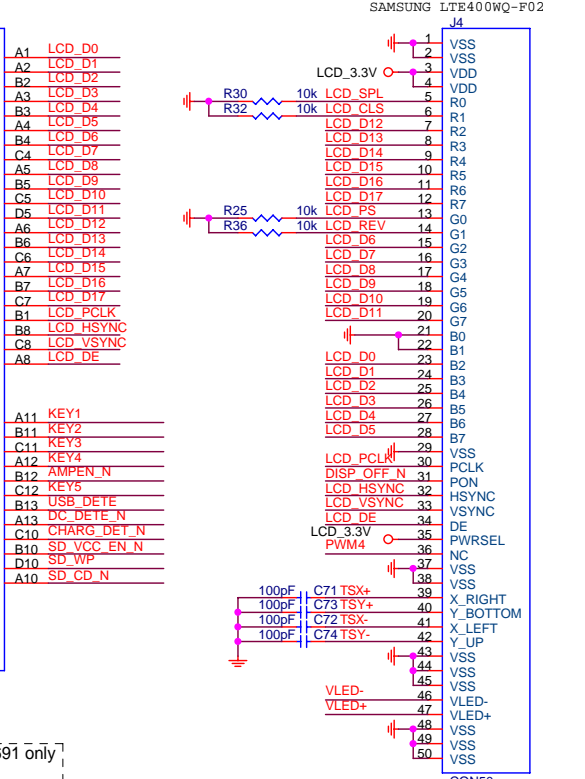
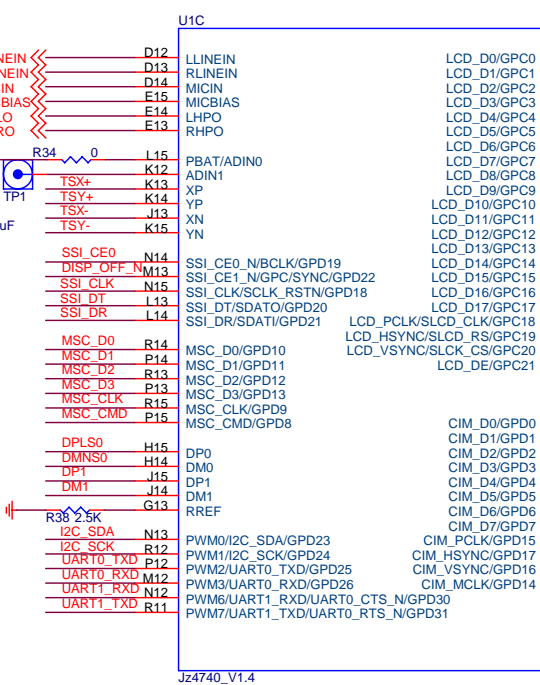
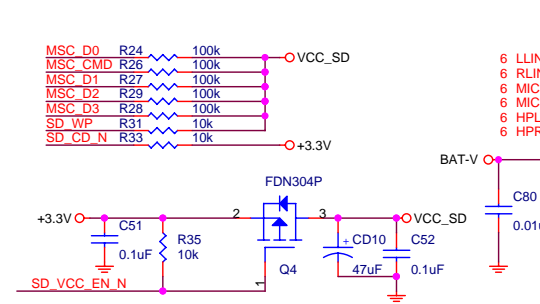
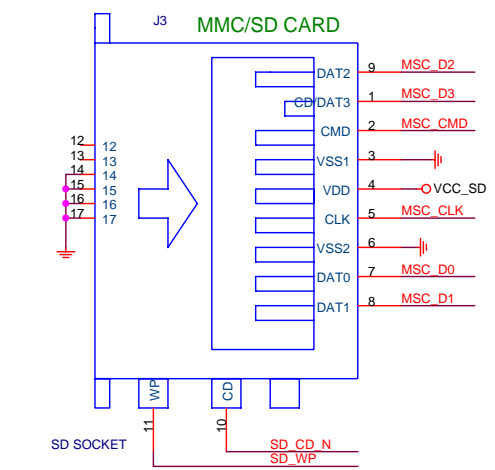
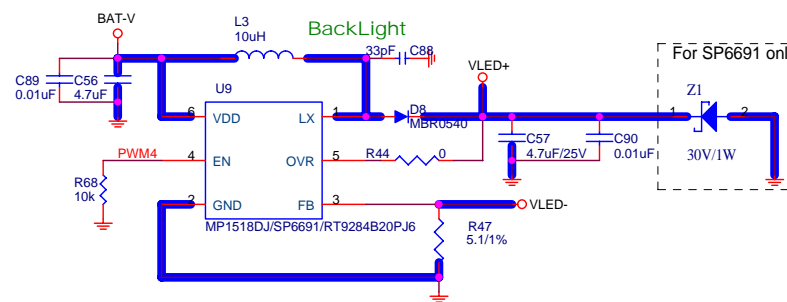
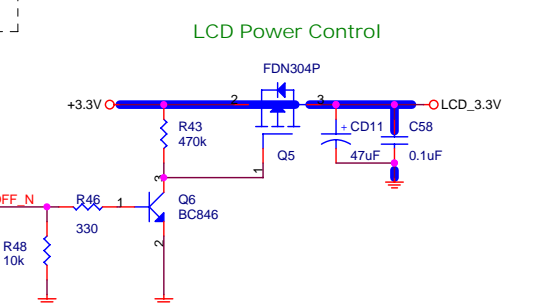


TABLE FOR SW1:0n=0

BOOT_SEL[1:0]	Function
00	Boot from external ROM at CS4
01	Boot from USB device
10	Boot from 512 page NAND flash at CS1
11	Boot from 2K page NAND flash at CS1



MP1518DJ for 6LEDs backlight. PWM frequency is 1KHz or below.
 RT9284B20PJ6 for 6LEDs backlight. PWM frequency is 2.5KHz
 If use RT9284B, revise the value of R47 to 12/1%, R44 to 604k OHM,
 SP6691 for 8LEDs backlight. PWM frequency is 200Hz.
 If use SP6691, remove R44 and revise the value of R47 to 68/1%,. Otherwise, must add a 30V/1W Zener Diode paralleling of C57 to protect the power IC.

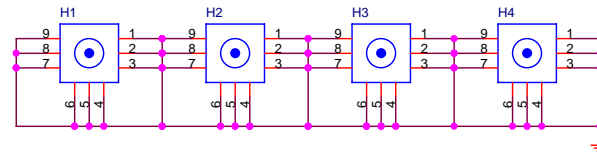
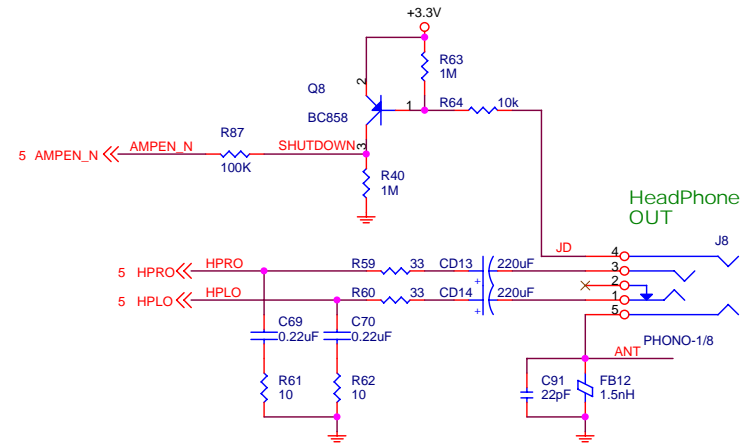
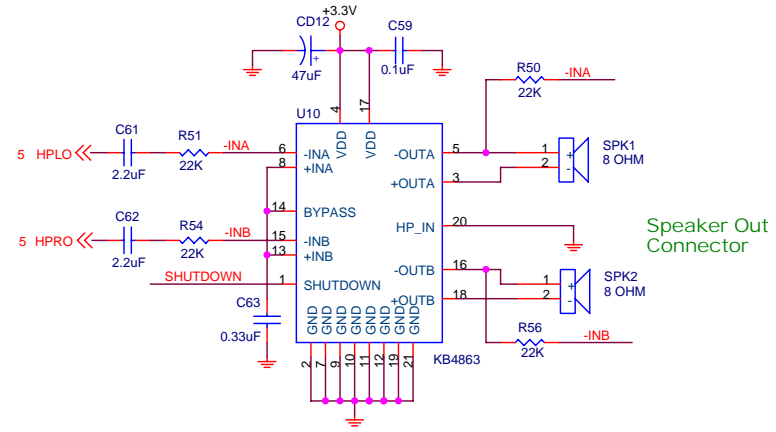
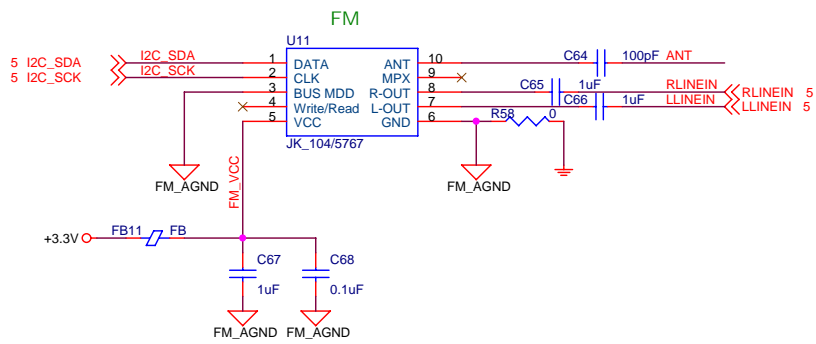
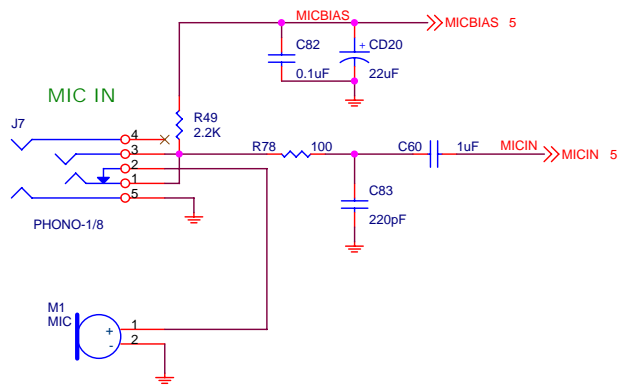


INGENIC Semiconductor Co. Ltd

Title: RD4740_PMP Development Board

Size: Document Number
 B: LCD & SD Card

Date: Monday, November 05, 2007 Sheet 5 of 7



INGENIC Semiconductor Co. Ltd

Title	RD4740_PMP Development Board	
Size	Document Number	Rev
B	AUDIO	1.3
Date:	Monday, November 05, 2007	Sheet 6 of 7

Data Revision Change

Apr. 5 2007	Rev1.0	1. First released Revision
Jun. 26 2007	Rev1.1	<ol style="list-style-type: none"> 1. Swap the signal of SD_VCC_EN_N and SD_CD_N 2. Change the R38 to 2.5k/1% 3. Add the R53 for oscillator circuit. 4. Modified the power_on circuit. 5. Modified the USB Power detected circuit. 6. Modified the LCD Backlight circuit.
Aug. 1 2007	Rev1.2	<ol style="list-style-type: none"> 1. Add R75,R76 for charge circuit 2. Add RC reset circuit. 3. Add U12 for battery voltage detection. 4. Change the signal to Pin A10,B10,C10,D10. C10,D10 should be conneted to the same direction of GPIO.
Nov. 5 2007	Rev1.3	<ol style="list-style-type: none"> 1. Remove R75, adjust value of R76 to 10k 2. Add C85 for charge status indicate 3. Add R77 high-drain for EXT_DC indicate 4. Add CD20,C82 for Celminating coupling of Micbias power 5. Add R78 and C83 for filter the noise of audio signal 6. Change the CD18 to C84. 7. Remove the U12 and related resistors. 8. Add R86 and Q13 for charge state signal 9. Change FB7 to R88 10. Exchange the HPRO and HPLO on the J8 audio jack.

Ingenic Semiconductor Co.Limited		
Title		
RD4740_PMP Development Board		
Size	Document Number	Rev
B	Revision History	1.3
Date:	Thursday, November 29, 2007	Sheet 7 of 7