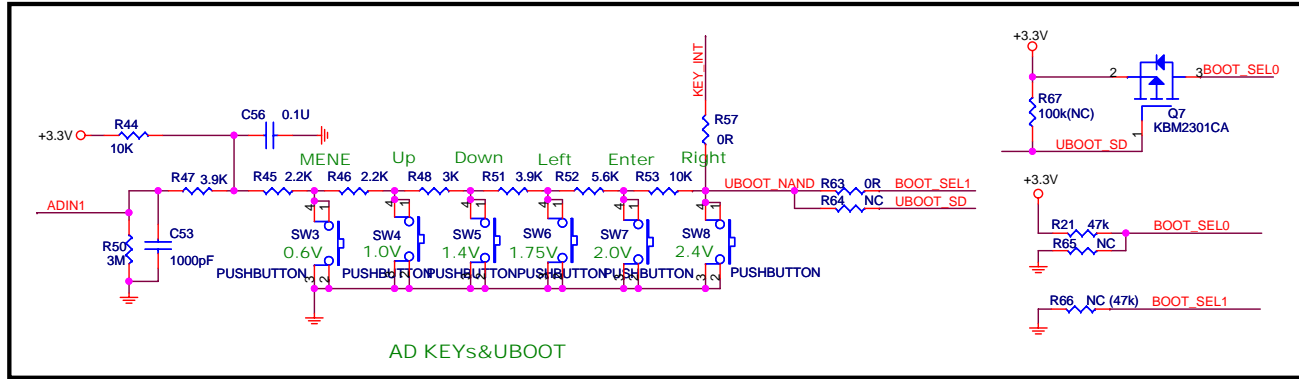


INGENIC Semiconductor Co., Ltd

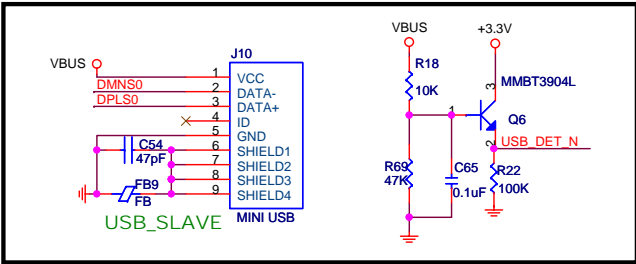
Jz4725B_PMP

File: Jz4725B_VOLANS
 Size: Custom
 Document Number: Jz4725B_PMP
 Date: Wednesday, July 08, 2009

Rev 1.2
 Sheet 1 of 2

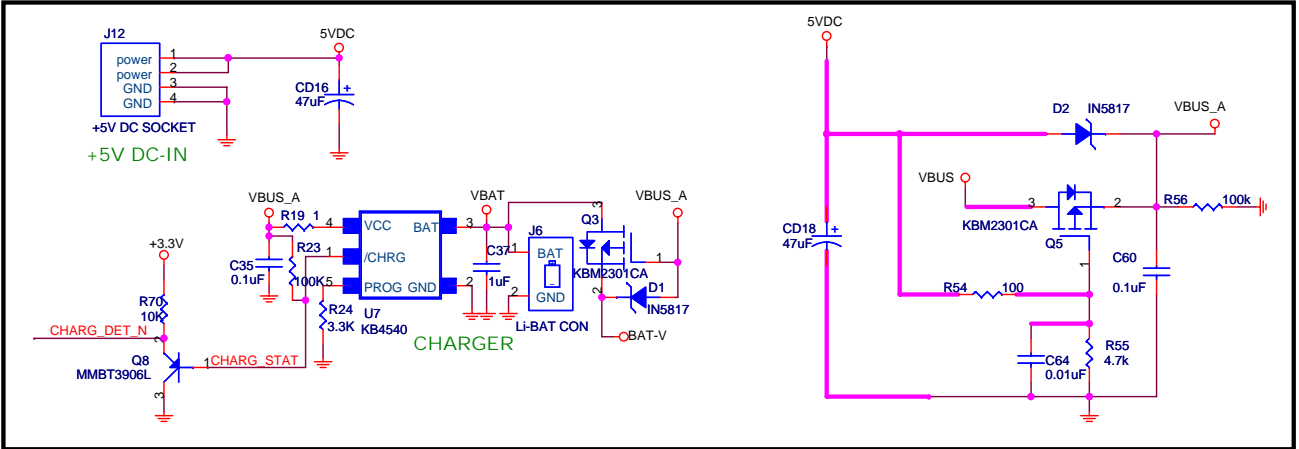


AD KEYS&UBOOT

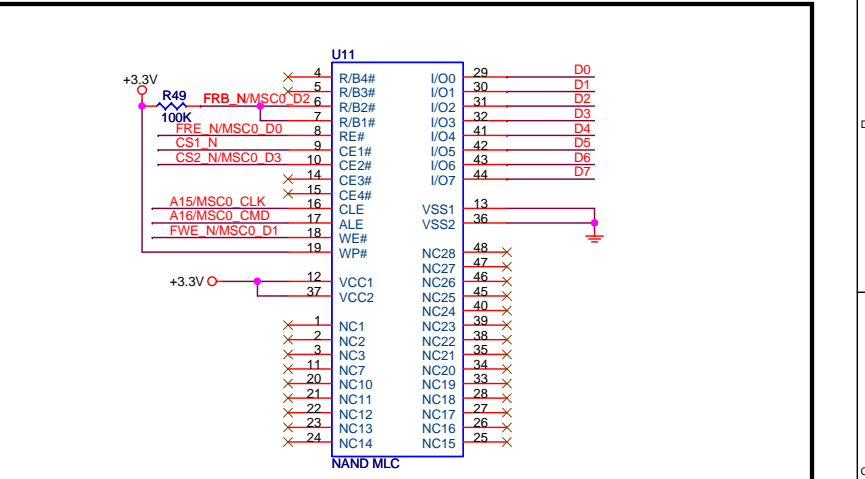
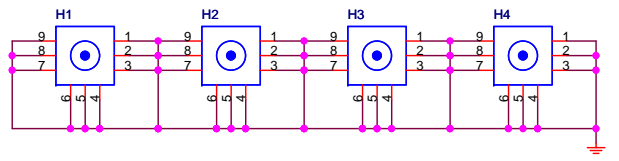


USB_SLAVE MINI USB

BOOT_SEL1	BOOT_SEL1	1	USB_DET_N	USB_DET_N	1
BOOT_SEL0	BOOT_SEL0	1	CHARG_DET_N	CHARG_DET_N	1
KEY_INT	KEY_INT	1			
ADIN1	ADIN1	1			
D0	D0	1	FRB_N/MSC0_D2	FRB_N/MSC0_D2	1
D1	D1	1	FRE_N/MSC0_D0	FRE_N/MSC0_D0	1
D2	D2	1	CS1_N	CS1_N	1
D3	D3	1	CS2_N/MSC0_D3	CS2_N/MSC0_D3	1
D4	D4	1	A15/MSC0_CLK	A15/MSC0_CLK	1
D5	D5	1	A16/MSC0_CMD	A16/MSC0_CMD	1
D6	D6	1	FWE_N/MSC0_D1	FWE_N/MSC0_D1	1
D7	D7	1	DMNS0	DMNS0	1
			DPLS0	DPLS0	1

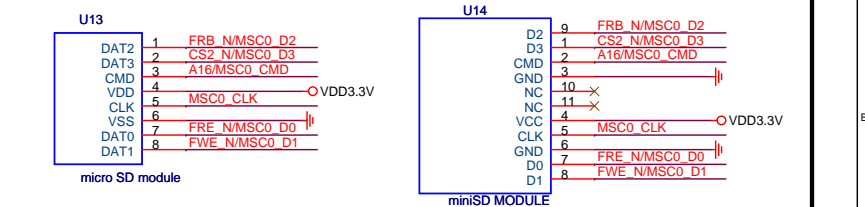


CHARGER



MLC NAND Flash

FRB_N/MSC0_D0	R58	NC (100k)	VDD3.3V
FWE_N/MSC0_D1	R59	NC (100k)	
CS2_N/MSC0_D3	R60	NC (100k)	
A16/MSC0_CMD	R61	NC (100k)	
A15/MSC0_CLK	R62	33	MSC0_CLK



NAND, micro SD and miniSD can't be used at the same time.
 If NAND flash is used. R21 should be 47K;
 R58~R61, R64~R66 be NC; R63 be 0R; R67 be 100K.
 If micro or mini SD CARD MODULE is used, R58~R61 should be 100K; R21, R63, R67 be NC; R64 be 0R; and R65~R66 be 47K.

INGENIC Semiconductor Co., Ltd		
Title		
Jz4725_VOLANS		
Size	Document Number	Rev
B	NAND & USB	1.2
Date:	Wednesday, July 08, 2009	Sheet 2 of 2