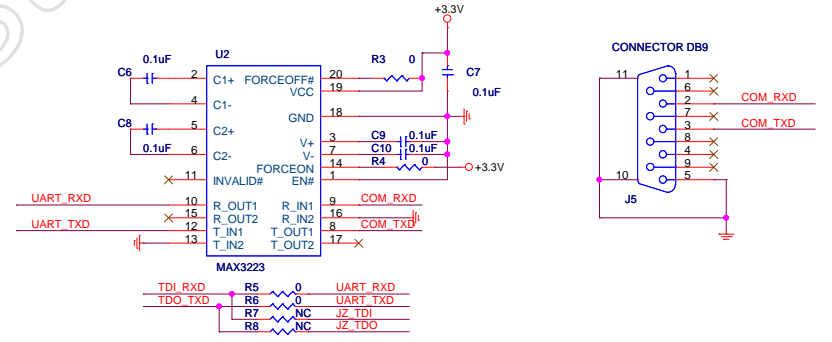
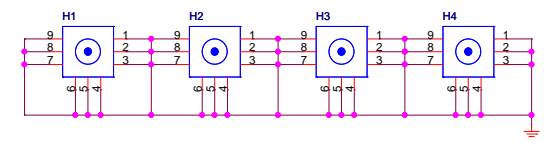
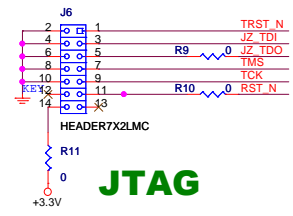
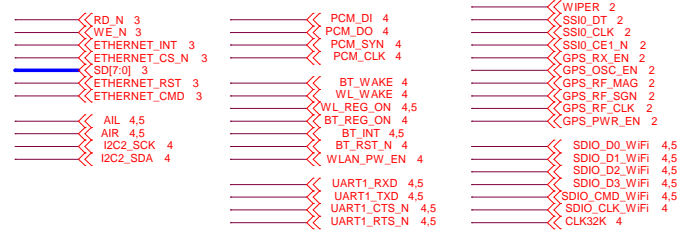


USB2.0_HOST



UART/RS232



INGENIC SEMICONDUCTOR CO.,LTD		
Title	RD4780_GRUS_DEBUG	
Size	Document Number	Rev
A3	USB2.0_HOST/UART/JTAG	1.0
Date:	Friday, September 28, 2012	Sheet 1 of 6

GPS RF Receiver core

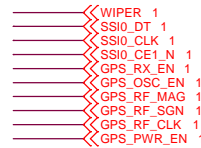
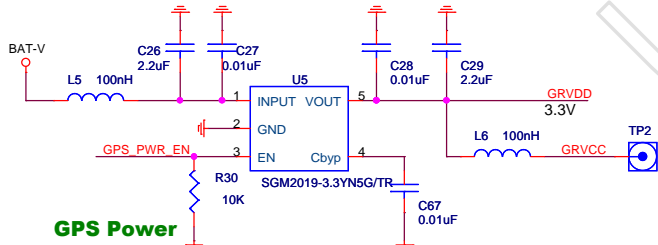
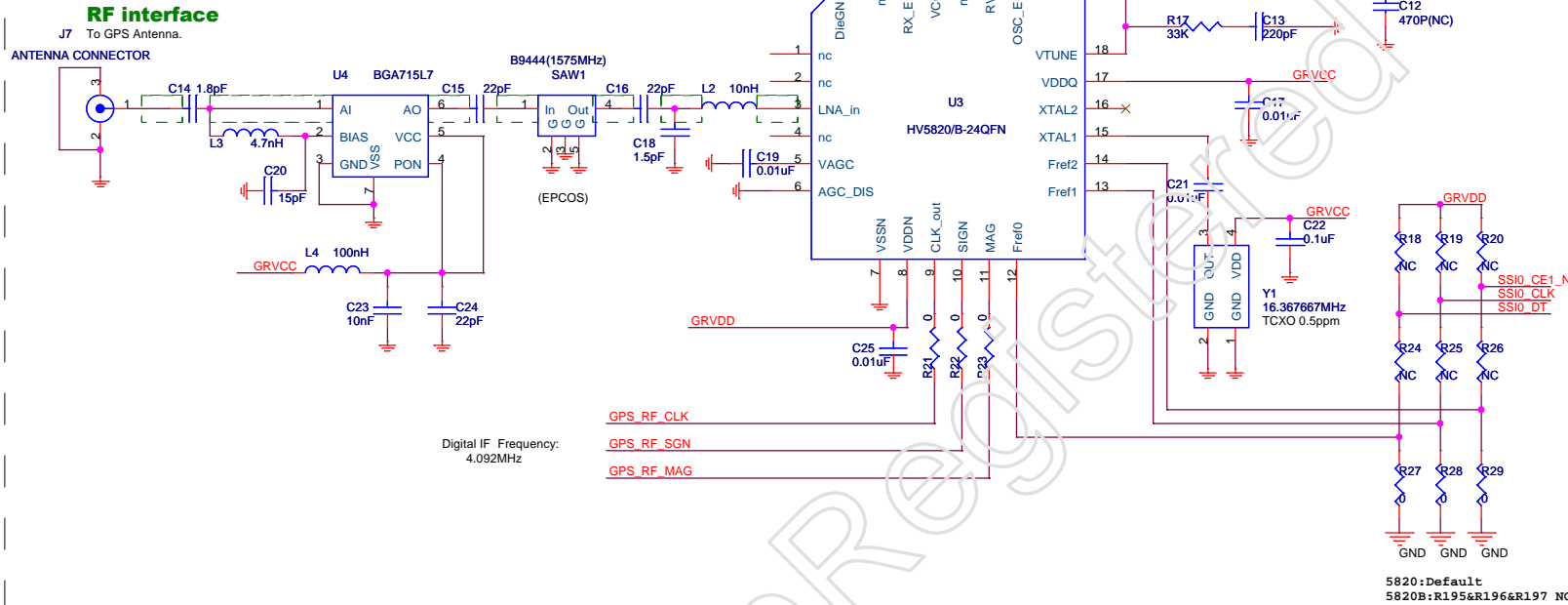
Must be placed into RF shielding case

RF Microstrip
Z0= 50 ohm

For good grounding, put 9 vias under RF IC die ground pad Pin25.

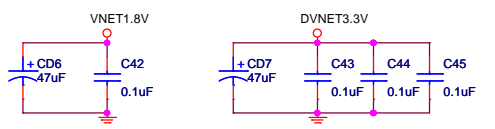
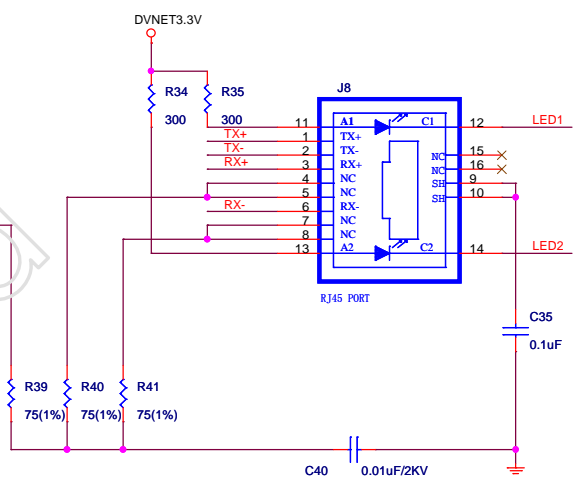
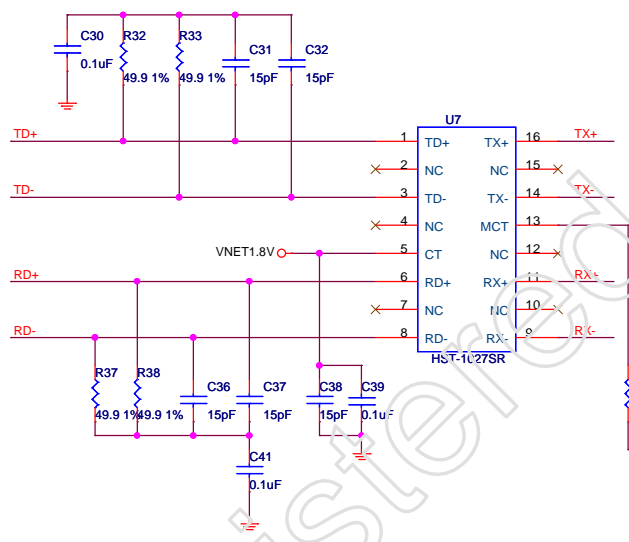
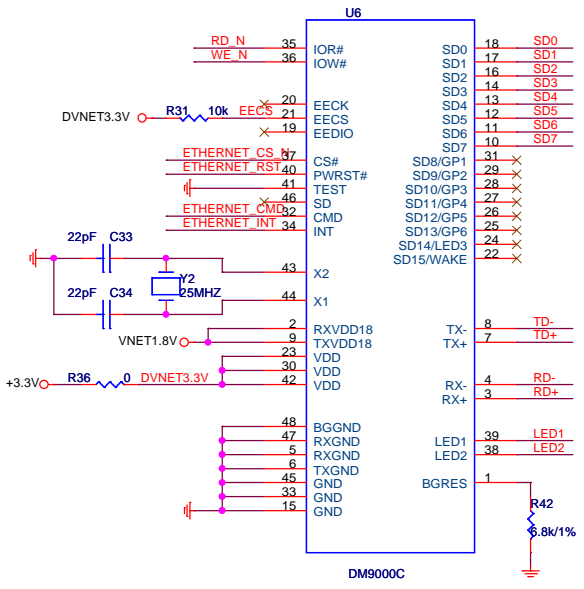
Operation Mode Description:

RX_EN	OSC_EN	Mode
0	0	All stand by
0	1	Oscillator only
1	0	Full active (external reference)
1	1	Full active (internal oscillator)



INGENIC SEMICONDUCTOR CO.,LTD

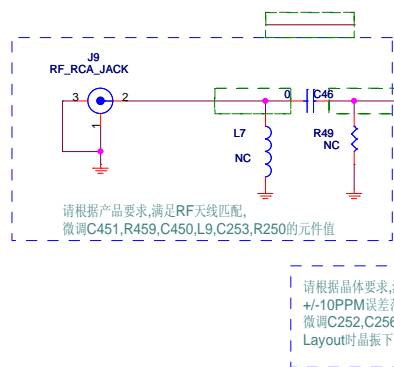
Title		RD4780_GRUS_DEBUG
Size	Document Number	Rev
B	GPS	1.0
Date:	Friday, September 28, 2012	Sheet 2 of 6



- << RD_N 1
- << WE_N 1
- << ETHERNET_INT 1
- << ETHERNET_CS_N 1
- << SD[7:0] 1
- << ETHERNET_RST 1
- << ETHERNET_CMD 1

INGENIC SEMICONDUCTOR CO.,LTD		
Title RD4780_GRUS_DEBUG		
Size B	Document Number ETHERNET	Rev 1.0
Date: Friday, September 28, 2012	Sheet 3	of 6

**RF Microstrip
Z0= 50 ohm**



Please note the input/output direction of UART interface, IW8103's input should connect to the output of host, and IW8103's output should connect to input of host.

Please note the input/output direction of PCM interface, IW8103's input should connect to the output of host, and IW8103's output should connect to input of host.

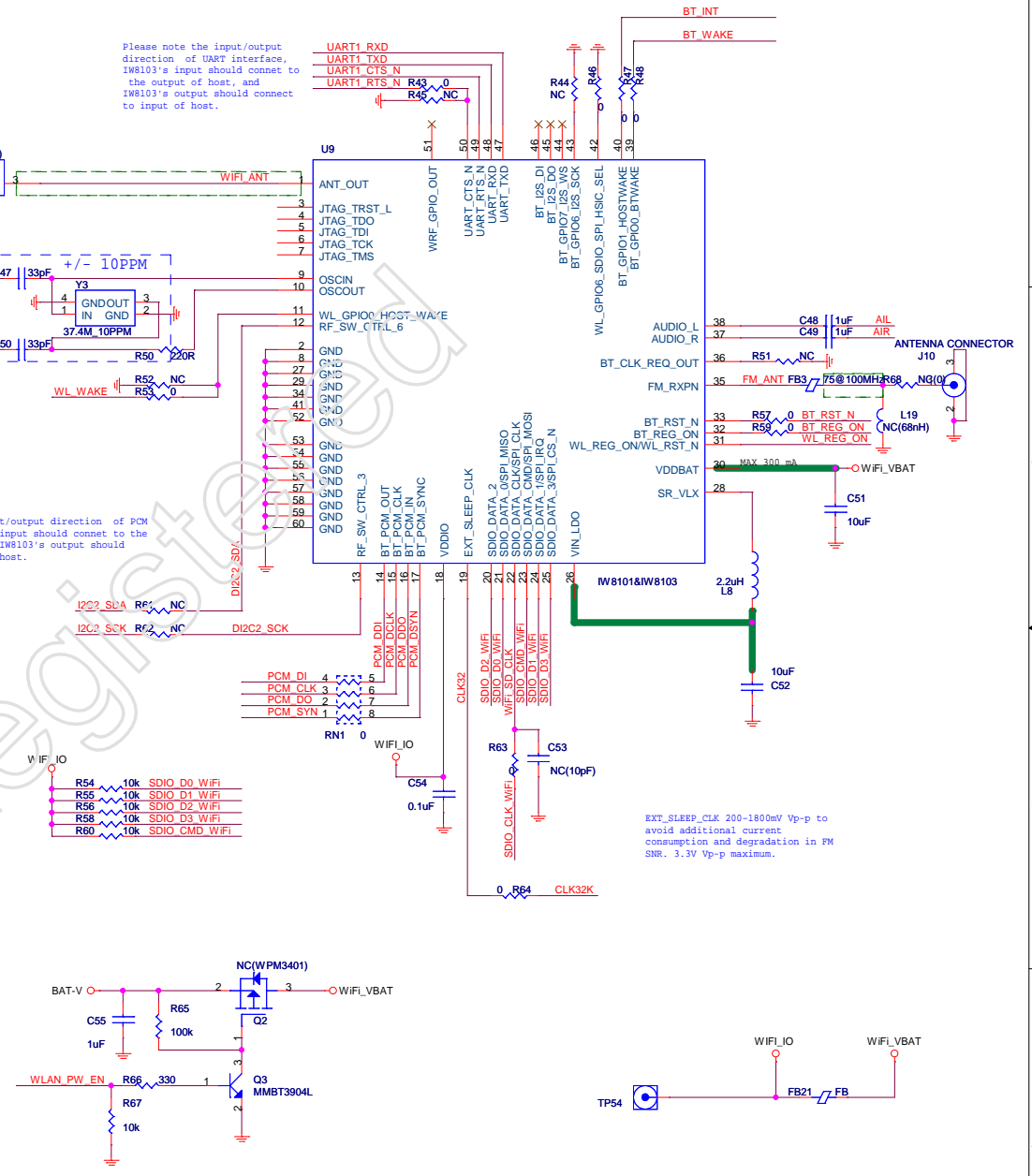
Component select in IW8101 & IW8103

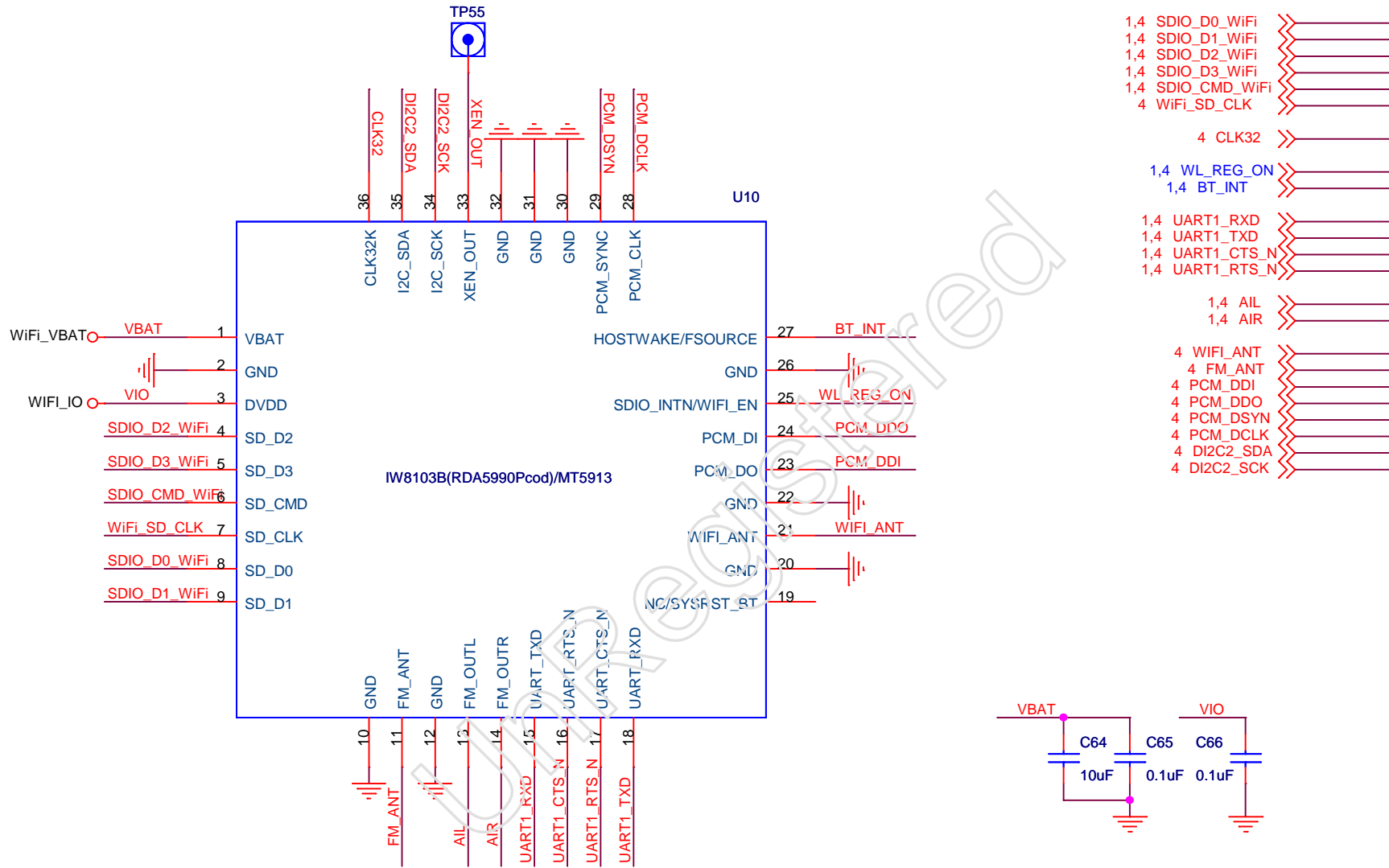
Part Number	IW8103	IW8101
	value	
C48,C49	1uF	NC
C55	1uF	NC
FB3	75@100MHz	NC
FB21	NC	75@100MHz
L8	2.2uH	1.5uH
Q2	MI3401	NC
Q3	MMBT3904L	NC
RN1	0 OHM	NC
R45	NC	100K OHM
R52,R44	NC	0 OHM
R45,R47,R48,R53,R57,R59	0 OHM	NC
R65	100K OHM	NC
R67	10K OHM	NC
R66	330 OHM	NC
U8	0 OHM	MURATA BPF LFB182G45CL3D264
Y3	37.4MHz, +/-10ppm	26MHz, +/-10ppm

备注

使用IW8103, WIFI_IO电压调整为2.8V,同时系统的3.3V也调整为2.8V
清单内无标识的物料为共用料, 请按原理图标识值进行选择

器件编号	IW8103	IW8103B
Y3	37.4MHz +/- 10ppm	26MHz +/- 10ppm
C48 C49	1uF	0.1uF
R61, R62	NC	0R
L8	2.2uH	4.7uH
FB3	75@100MHz Bead	100pF CAP
R46, R48	0R	NC





INGENIC SEMICONDUCTOR CO.,LTD

Title		RD4780_GRUS_DEBUG	
Size	Document Number	Rev	
A	WIFI_IW8103B/MT5913	1.0	
Date:	Friday, September 28, 2012	Sheet	5 of 6

Data Revision Change

Data	Revision	Change
Sep 25 2012	Rev1.0	1. First released Revision

UnRegistered

INGENIC SEMICONDUCTOR CO.,LTD		
Title	RD4780_GRUS_DEBUG	
Size	Document Number	Rev
B	REVISION_HISTORY	1.0
Date:	Thursday, September 27, 2012	Sheet 6 of 6