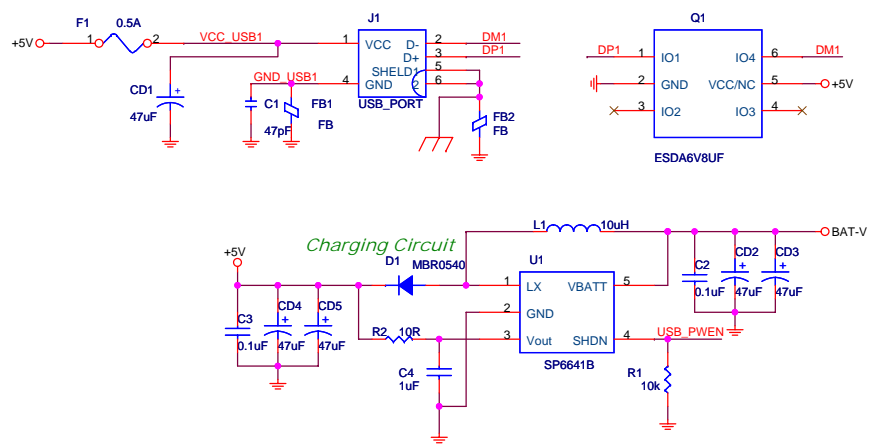
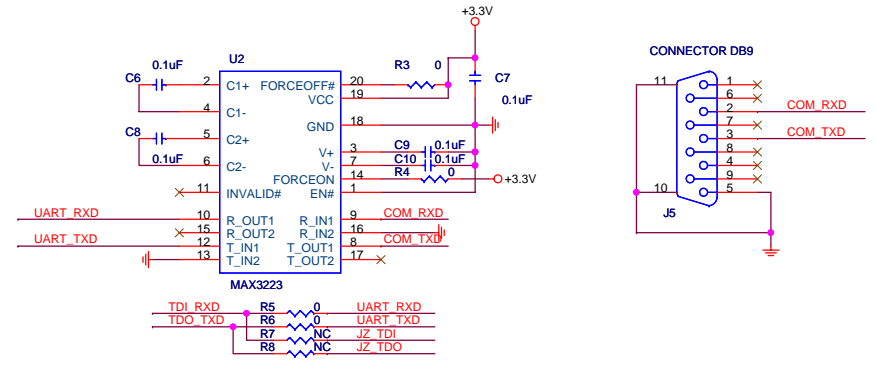


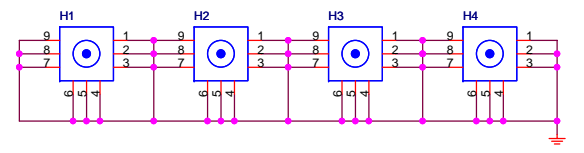
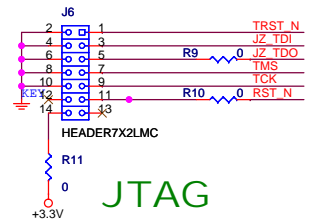
USB2.0_HOST



UART/RS232



JTAG



INGENIC SEMICONDUCTOR CO., LTD		
Title	RD4780_GRUS_DEBUG	
Size	Document Number	Rev
A3	USB2.0_HOST/UART/JTAG	1.0
Date:	Friday, September 28, 2012	Sheet 1 of 6

GPS RF Receiver

core

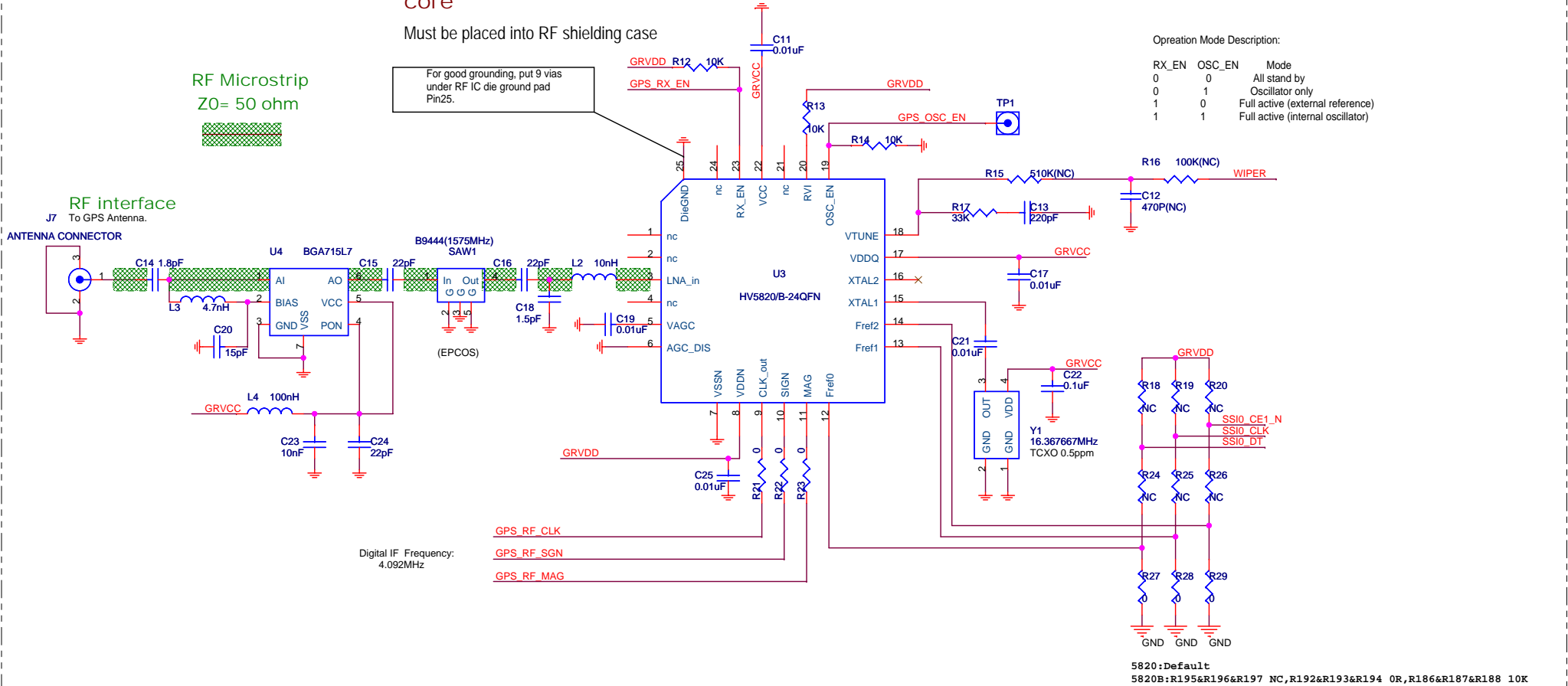
Must be placed into RF shielding case

For good grounding, put 9 vias under RF IC die ground pad Pin25.

RF Microstrip
Z0= 50 ohm

Opreation Mode Description:

RX_EN	OSC_EN	Mode
0	0	All stand by
0	1	Oscillator only
1	0	Full active (external reference)
1	1	Full active (internal oscillator)

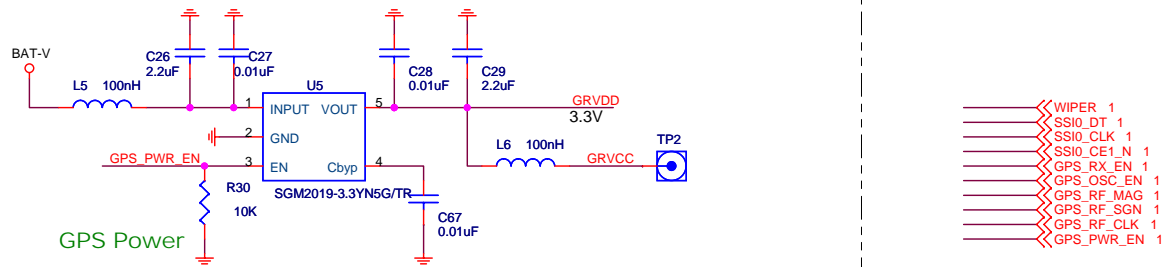


Digital IF Frequency:
4.092MHz

GPS_RF_CLK
GPS_RF_SGN
GPS_RF_MAG

RF interface
To GPS Antenna.

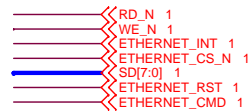
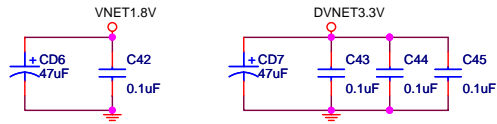
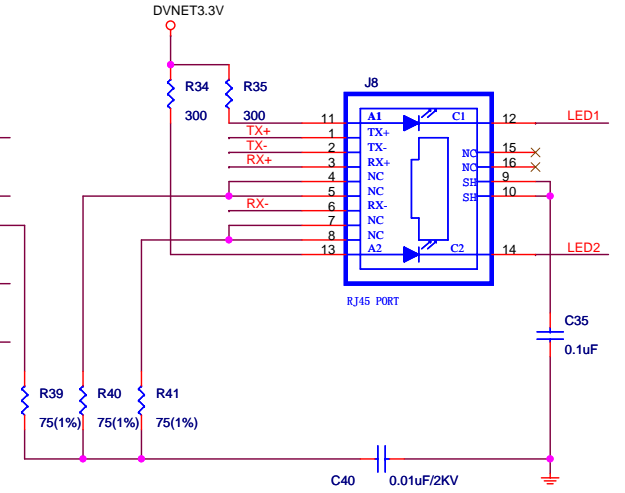
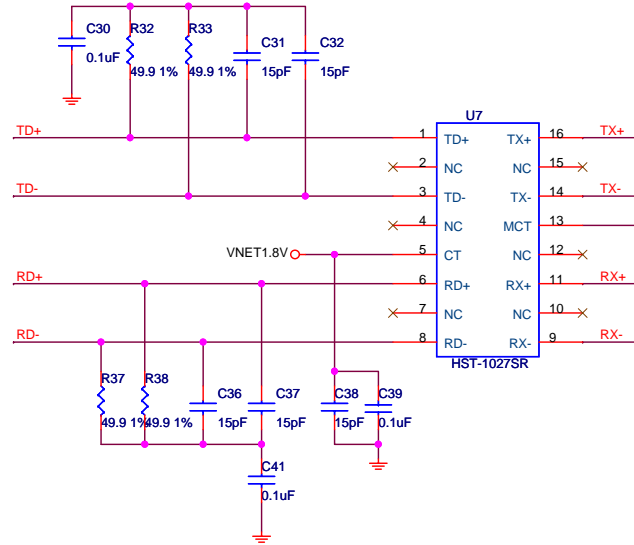
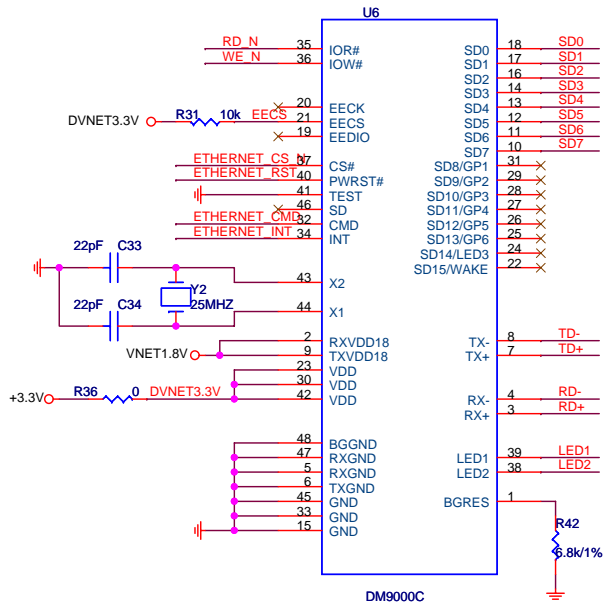
GPS Power



- WIPER 1
- SSIO_DT 1
- SSIO_CLK 1
- SSIO_CE1_N 1
- SSIO_CLK 1
- SSIO_DT 1
- GPS_RX_EN 1
- GPS_OSC_EN 1
- GPS_MAG 1
- GPS_SGN 1
- GPS_CLK 1
- GPS_PWR_EN 1

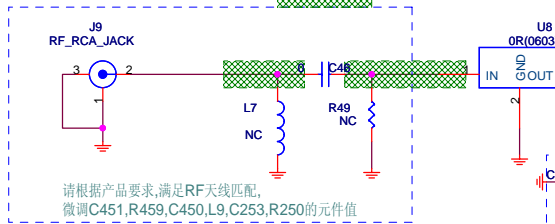
INGENIC SEMICONDUCTOR CO.,LTD

Title		RD4780_GRUS_DEBUG
Size	Document Number	Rev
B	GPS	1.0
Date:	Friday, September 28, 2012	Sheet 2 of 6



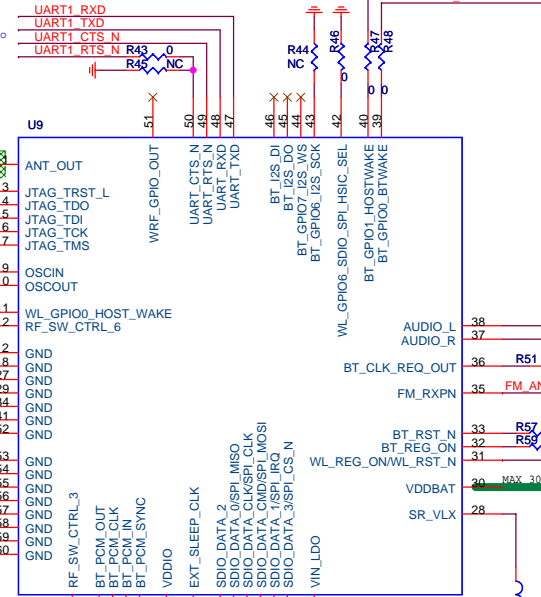
INGENIC SEMICONDUCTOR CO.,LTD		
Title	RD4780_GRUS_DEBUG	
Size	Document Number	Rev
B	ETHERNET	1.0
Date:	Friday, September 28, 2012	Sheet 3 of 6

RF Microstrip
Z0= 50 ohm



请根据晶体要求,满足实际测试 +/-10PPM误差范围, 微调C252,C256的元件值, Layout时晶振下方不能走线

Please note the input/output direction of UART interface, IW8103's input should connect to the output of host, and IW8103's output should connect to input of host.



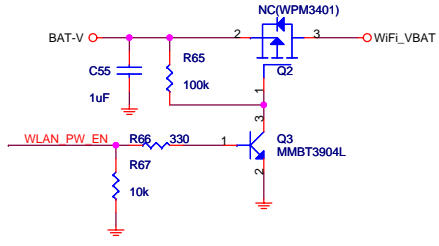
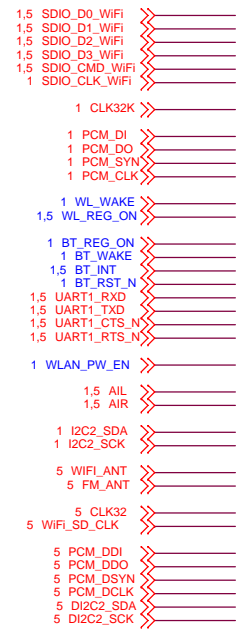
Please note the input/output direction of PCM interface, IW8103's input should connect to the output of host, and IW8103's output should connect to input of host.

Component select in IW8101 & IW8103		
Part Number	IW8103	IW8101
	value	
C48,C49	1uF	NC
C55	1uF	NC
FB3	75@100MHz	NC
FB21	NC	75@100MHz
L8	2.2uH	1.5uH
Q2	MI3401	NC
Q3	MMBT3904L	NC
RN1	0 OHM	NC
R45	NC	100K OHM
R52,R44	NC	0 OHM
R45,R47,R48,R53,R57,R59	0 OHM	NC
R65	100K OHM	NC
R67	10K OHM	NC
R66	330 OHM	NC
U8	0 OHM	MURATA BPF LFB182G45CL3D264
Y3	37.4MHz, +/-10ppm	26MHz, +/-10ppm

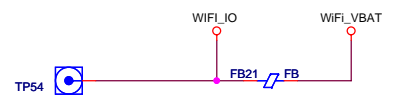
备注

使用IW8103, WIFI_IO电压调整为2.8V,同时系统的3.3V也调整为2.8V

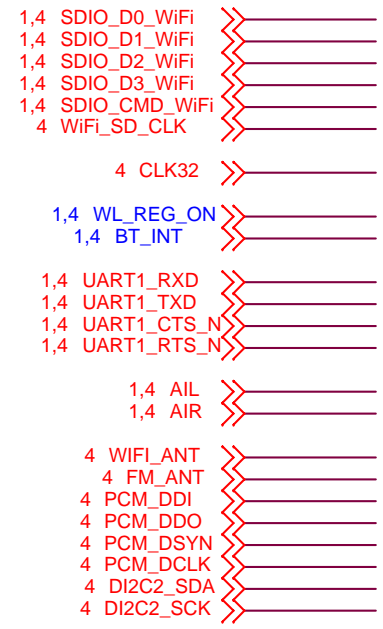
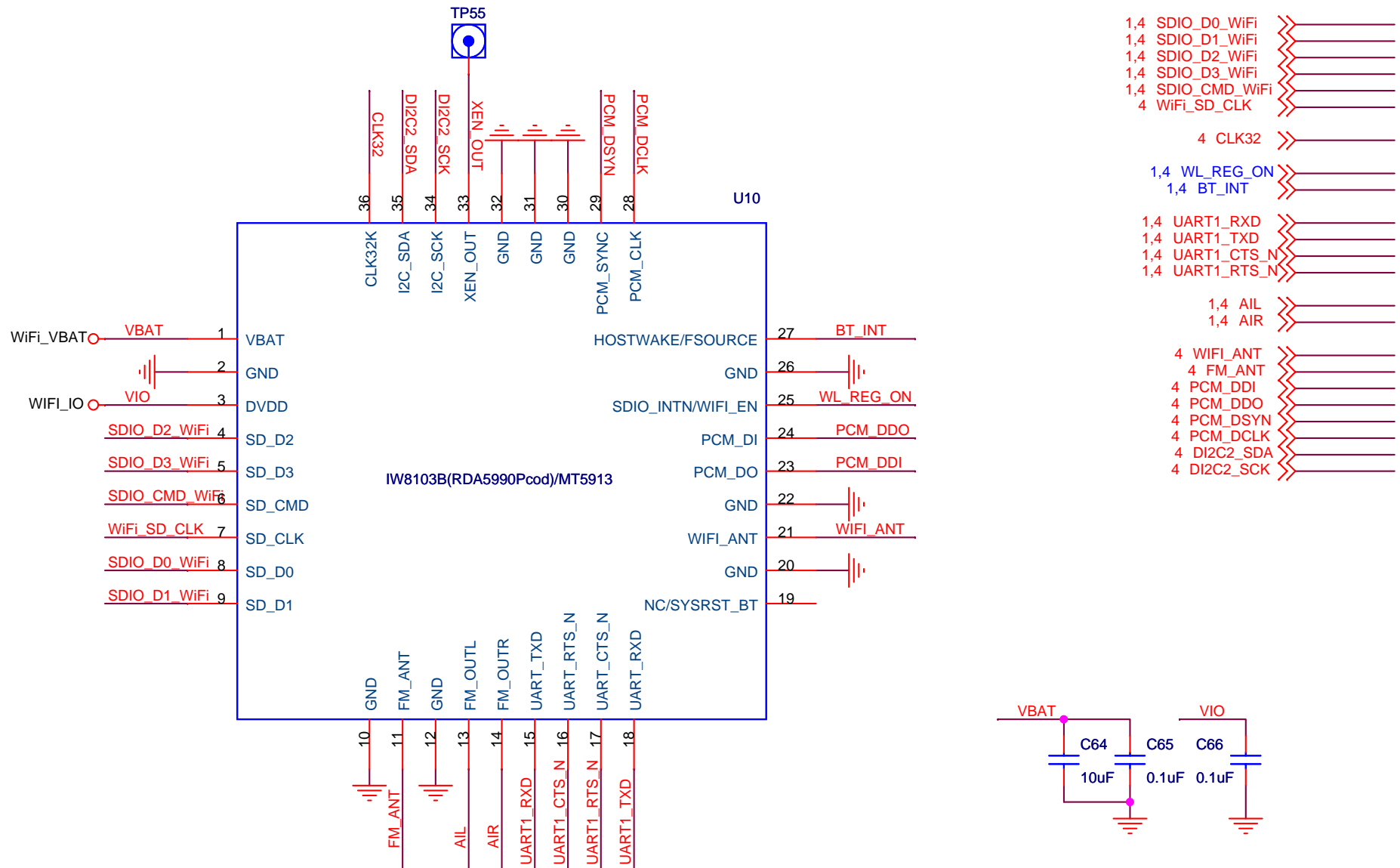
清单内无标识的物料为共用料, 请按原理图标识值进行选择



EXT_SLEEP_CLK 200-180mV Vp-p to avoid additional current consumption and degradation in FM SNR. 3.3V Vp-p maximum.



器件编号	IW8103	IW8103B
Y3	37.4MHz +/- 10ppm	26MHz +/- 10ppm
C48 C49	1uF	0.1uF
R61, R62	NC	0R
L8	2.2uH	4.7uH
FB3	75@100MHz Bead	100pF CAP
R46, R48	0R	NC



INGENIC SEMICONDUCTOR CO.,LTD		
Title RD4780_GRUS_DEBUG		
Size A	Document Number WIFI_IW8103B/MT5913	Rev 1.0
Date:	Friday, September 28, 2012	Sheet 5 of 6

Data	Revision	Change
Sep 25 2012	Rev1.0	1. First released Revision

INGENIC SEMICONDUCTOR CO.,LTD		
Title	RD4780_GRUS_DEBUG	
Size B	Document Number REVISION_HISTORY	Rev 1.0
Date:	Thursday, September 27, 2012	Sheet 6 of 6