

Jz4740

32 Bits Microprocessor

Application Notes 01

RTC

Revision: 0.1

Date: Sep. 2007



北京君正集成电路有限公司
Ingenic Semiconductor Co. Ltd

Jz4740 32 Bits Microprocessor

Application Notes 01

RTC

Copyright © Ingenic Semiconductor Co. Ltd 2006. All rights reserved.

Release history

Date	Revision	Change
Sep. 2007	0.1	Before release

Disclaimer

This documentation is provided for use with Ingenic products. No license to Ingenic property rights is granted. Ingenic assumes no liability, provides no warranty either expressed or implied relating to the usage, or intellectual property right infringement except as provided for by Ingenic Terms and Conditions of Sale.

Ingenic products are not designed for and should not be used in any medical or life sustaining or supporting equipment.

All information in this document should be treated as preliminary. Ingenic may make changes to this document without notice. Anyone relying on this documentation should contact Ingenic for the current documentation and errata.

Ingenic Semiconductor Co. Ltd

Room 801C, Power Creative E, No.1 B/D ShangDi East Road, Haidian District,

Beijing 100085, China

Tel: 86-10-58851008

Fax: 86-10-58851005

Http: //www.ingenic.cn

Jz4740 RTC-Hibernating module

1. Jz4740 RTC module power control circuit

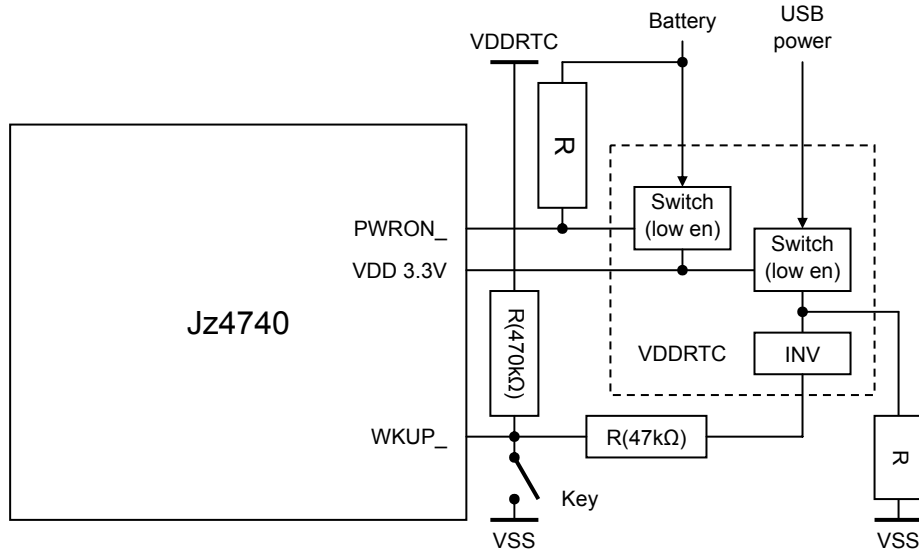


Figure 1 Power control circuit 1

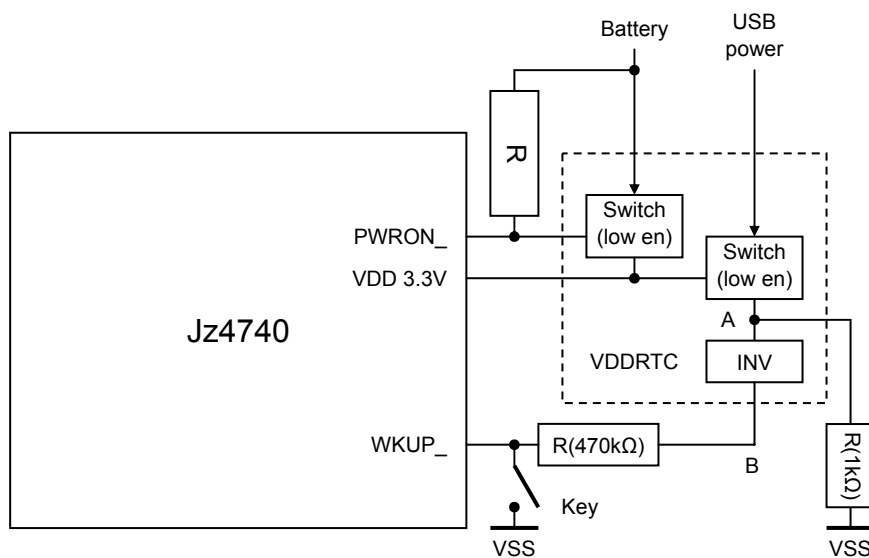


Figure 2 Power control circuit 2

In case of no USB power (USB power = 0V), point A always 0V and point B always VDDRTC, which is the same as USB power does not exist. Following figures show when USB power supplied in different conditions.

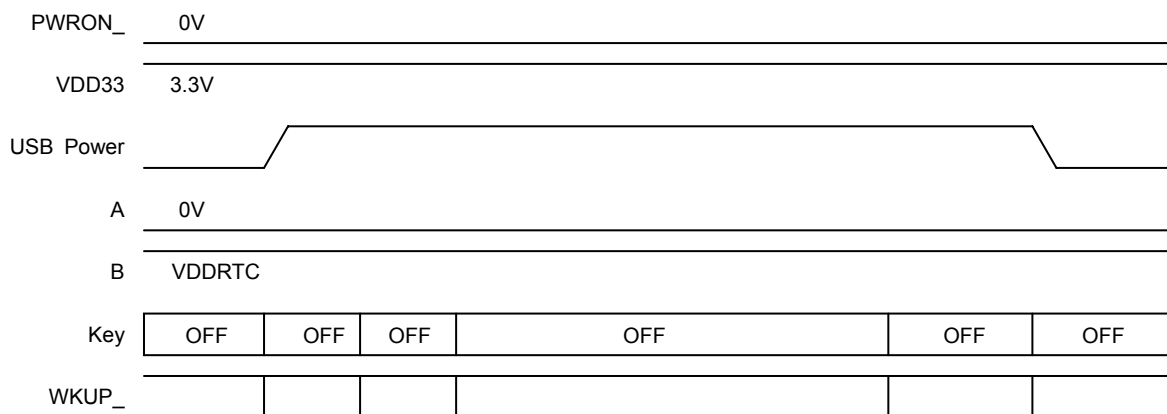


Figure 3 jz4740 is power-on, without long time WKUP_ key pressing

Please disable WKUP_ key power off function in software during USB operation. Short time WKUP_ key pressing is OK.

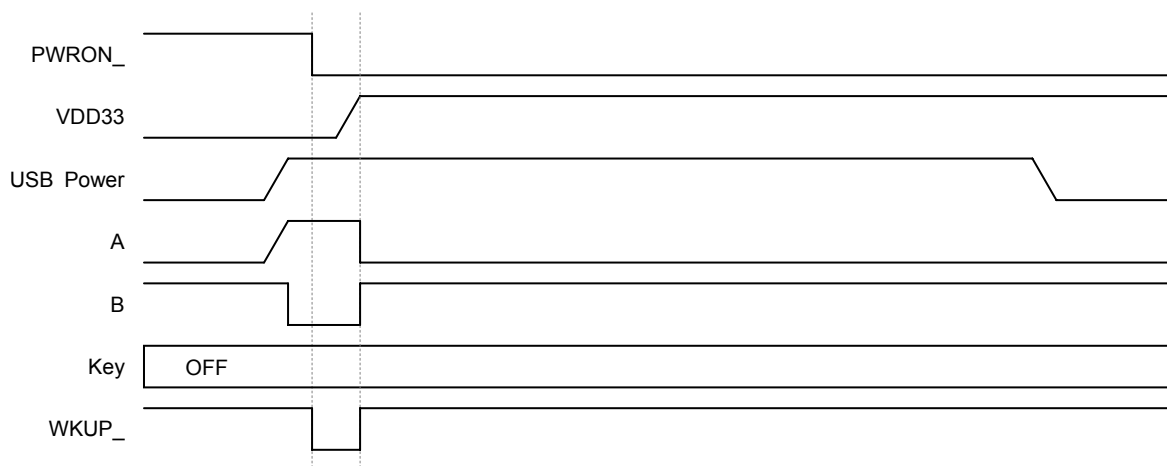


Figure 4 jz4740 is power-off

2. WKUP_ & PPRST_ Timing

When the main power of the system is ON or OFF, the timing of signal “WKUP_” & “PPRST_” should not be asserted (low level) simultaneous, else the internal registers of RTC may be changed.