

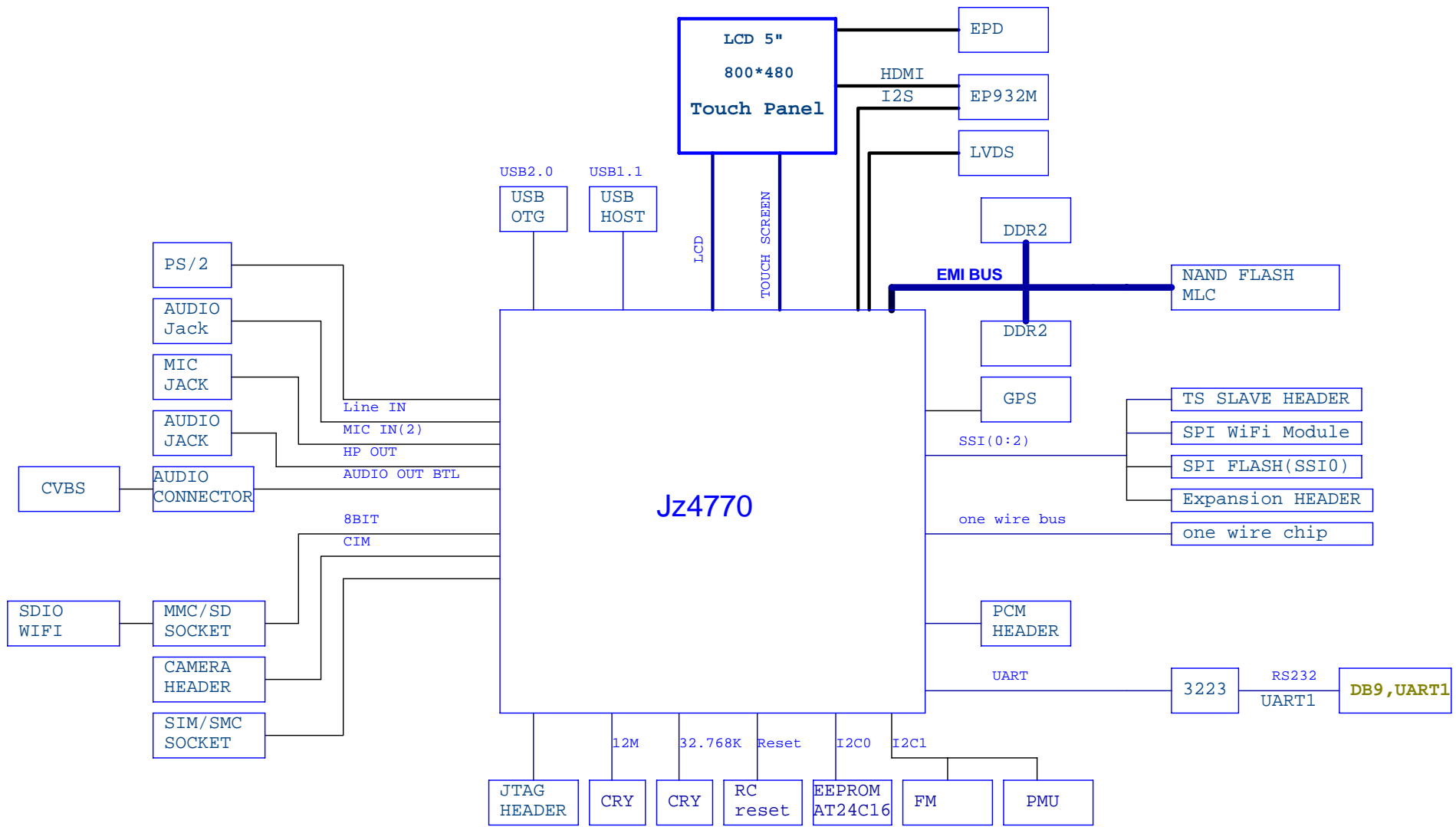


RD4770_PISCES

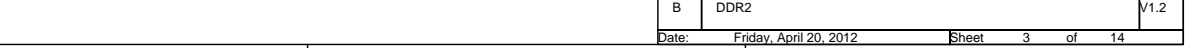
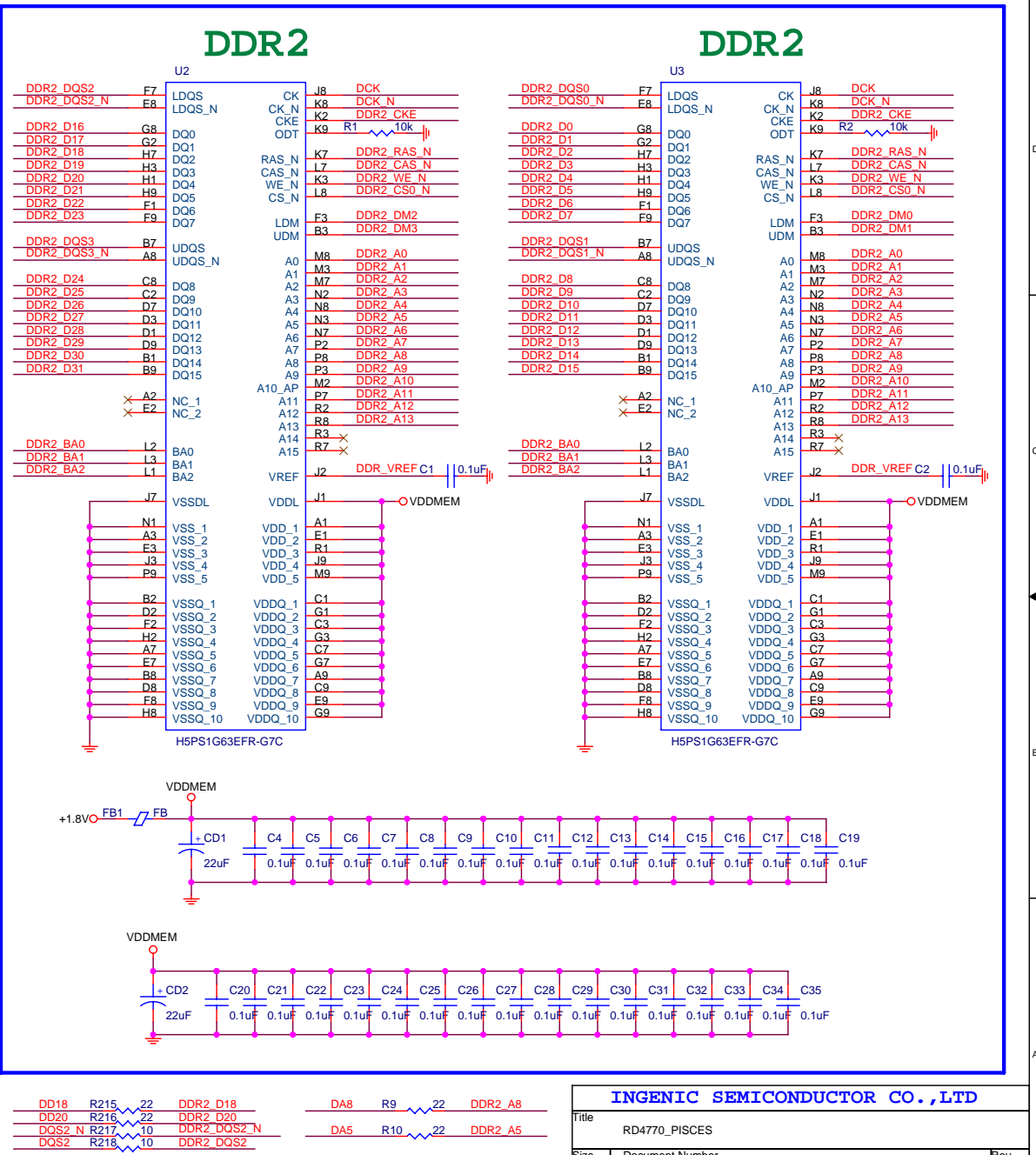
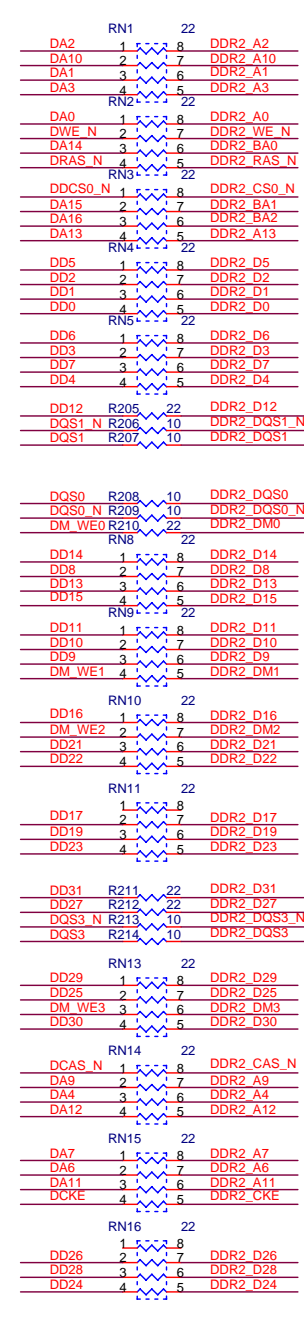
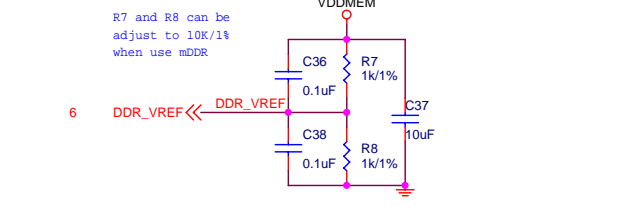
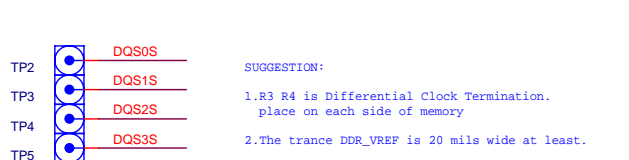
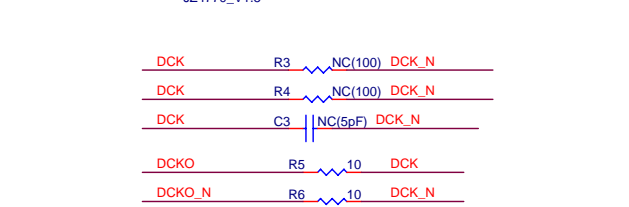
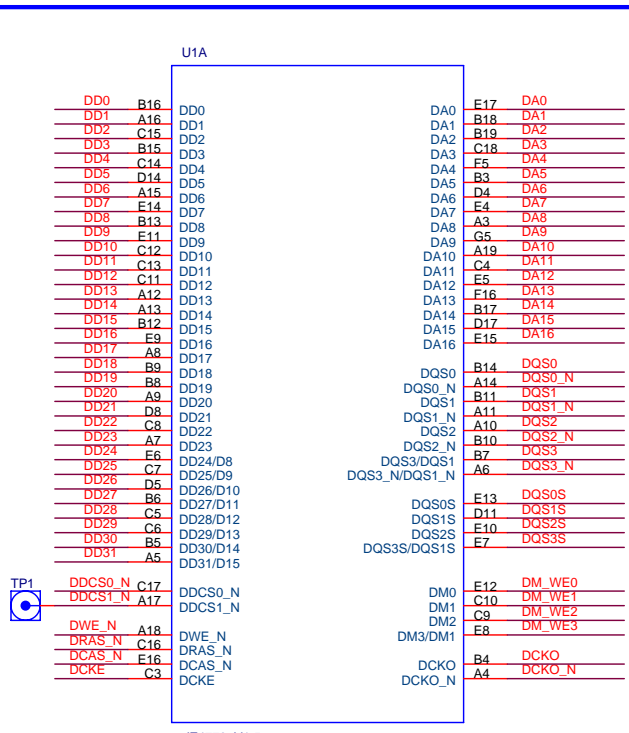
Schematic Revision 1.2

Title	Page
COVER SHEET	1
SYSTEM ARCHITECTURE	2
DDR2	3
Nand/SD/BOOT/Key	4
UART/OWI/SPINOR	5
RESET	6
PMU	7
USB OTG/EEPROM/PS2	8
SPK/MIC/PCM	9
AUDIO/VIDEO	10
LCD	11
TS/CAMERA/EPD/JDI/SCC	12
GPS	13
REVISION HISTORY	14

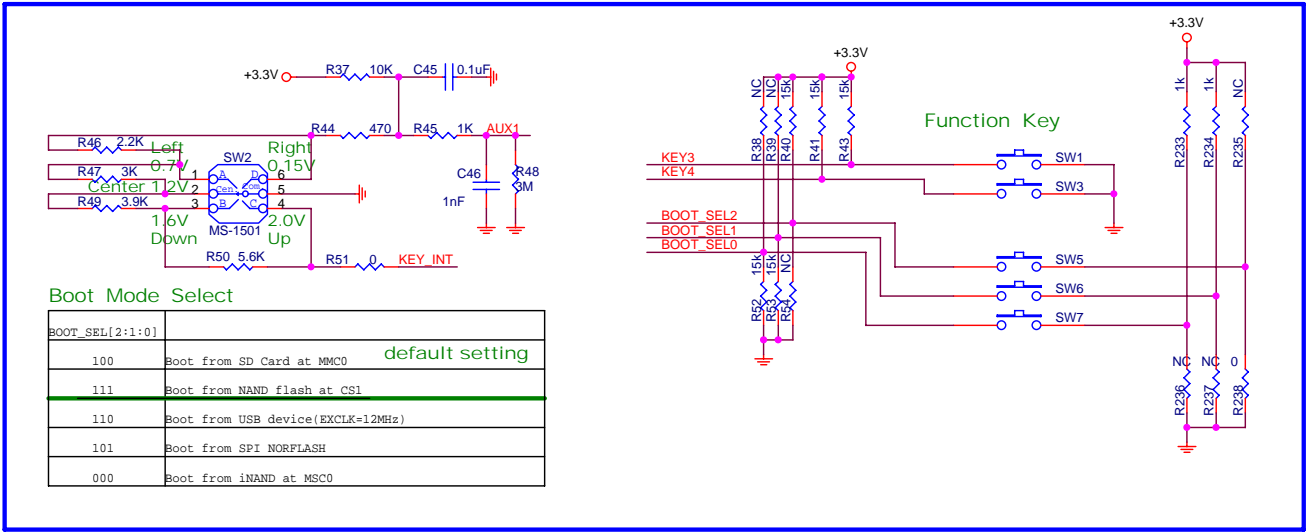
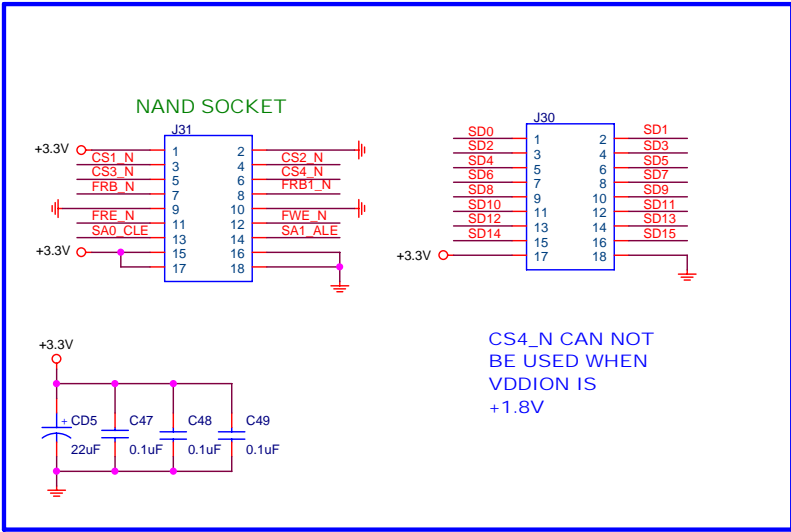
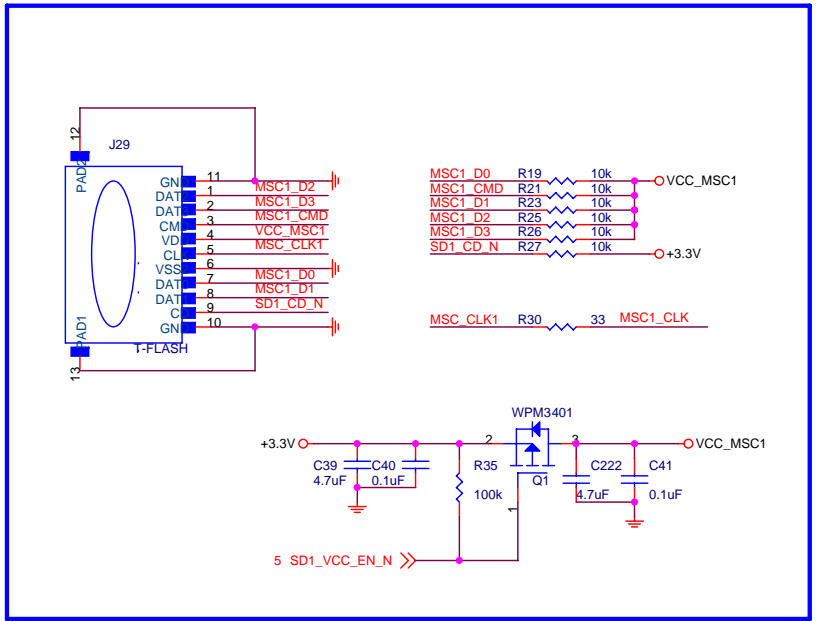
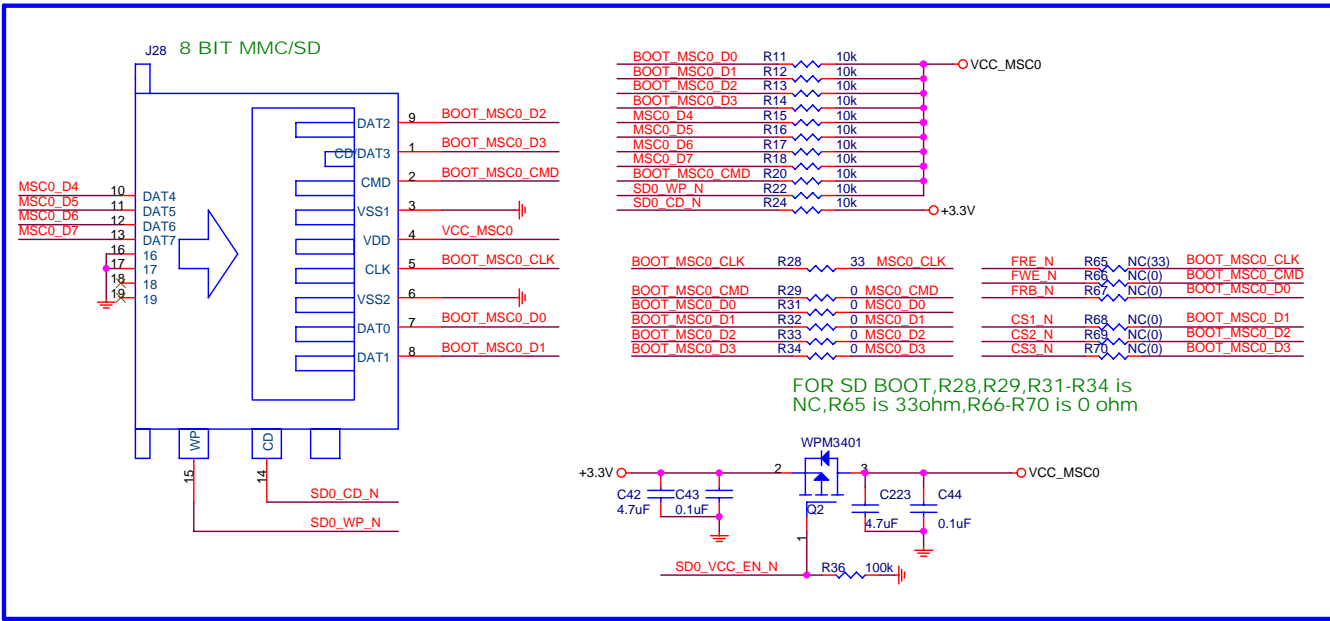
INGENIC SEMICONDUCTOR CO.,LTD		
Title RD4770_PISCES_BOARD		
Size B	Document Number COVER SHEET	Rev V1.2
Date: Friday, April 20, 2012	Sheet 1	of 14



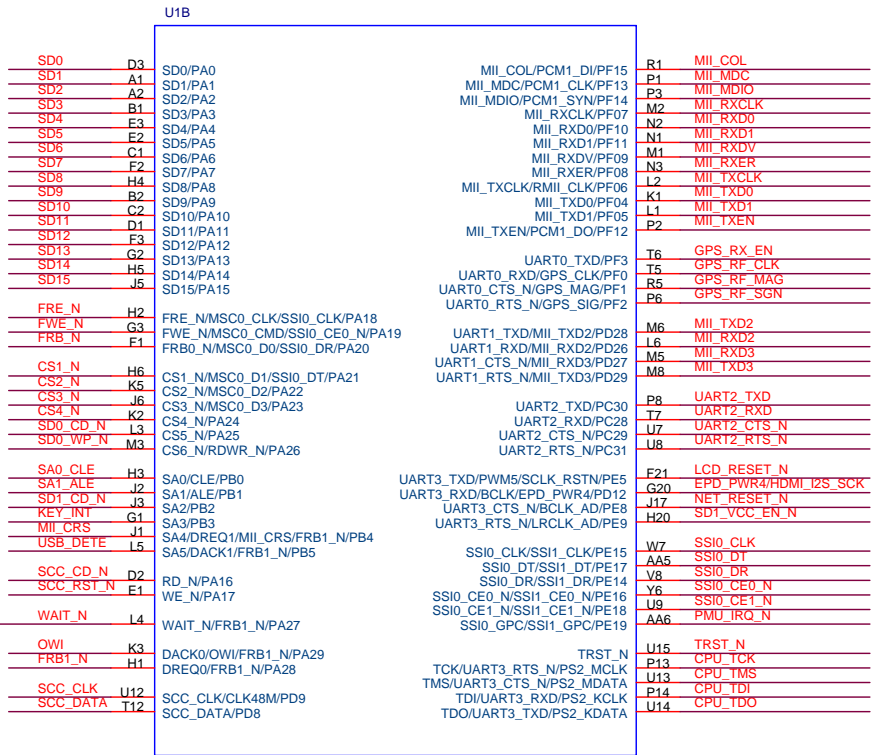
INGENIC SEMICONDUCTOR CO.,LTD		
Title RD4770_PISCES_BOARD		
Size B	Document Number SYSTEM ARCHITECTURE	Rev V1.2
Date:	Friday, April 20, 2012	Sheet 2 of 14



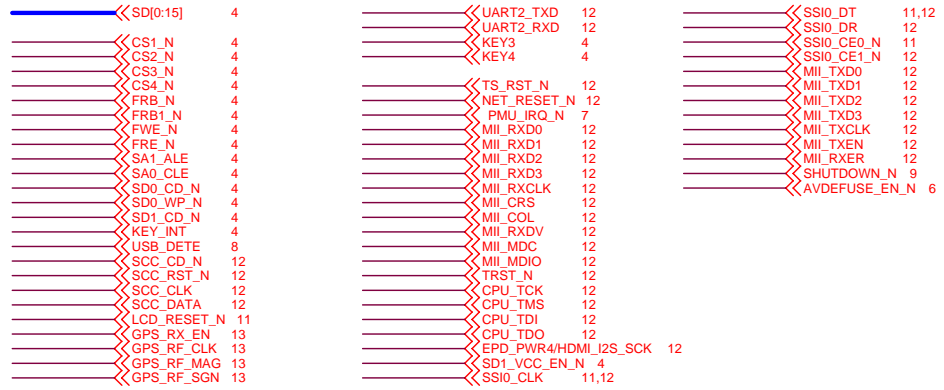
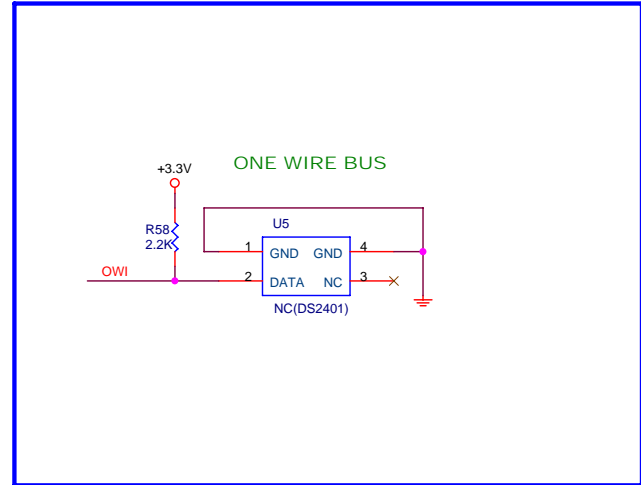
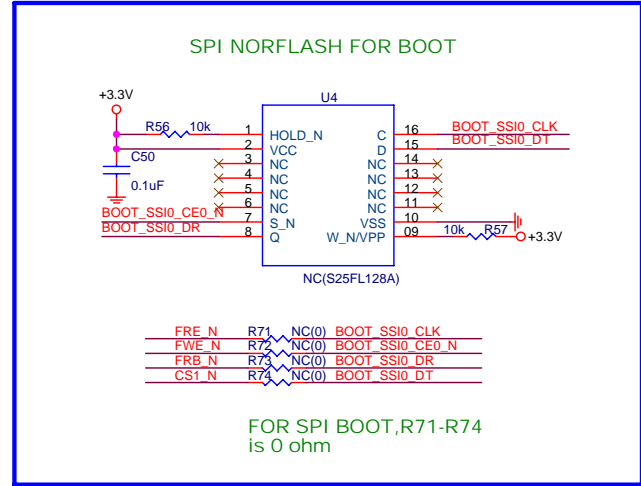
INGENIC SEMICONDUCTOR CO.,LTD	
Title: RD4770_PISCES	
Size B	Document Number: DDR2
Date: Friday, April 20, 2012	Rev V1.2
Sheet 3	of 14



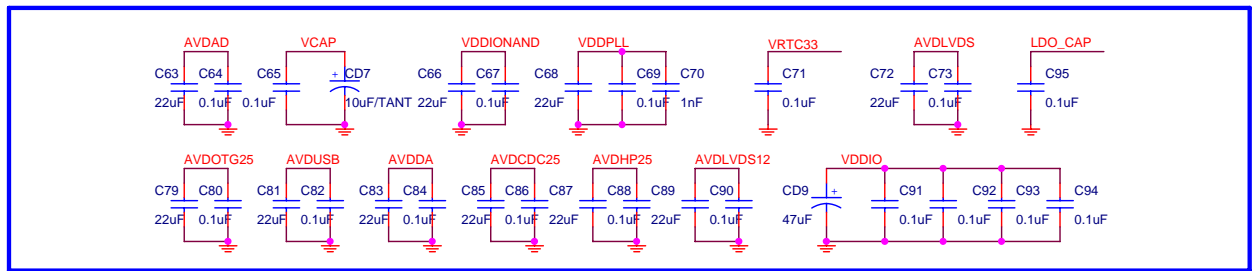
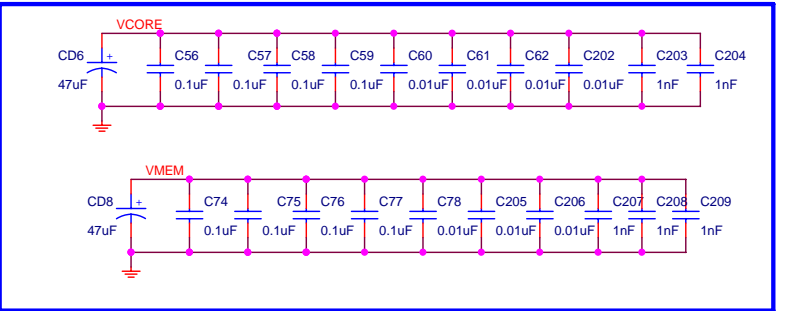
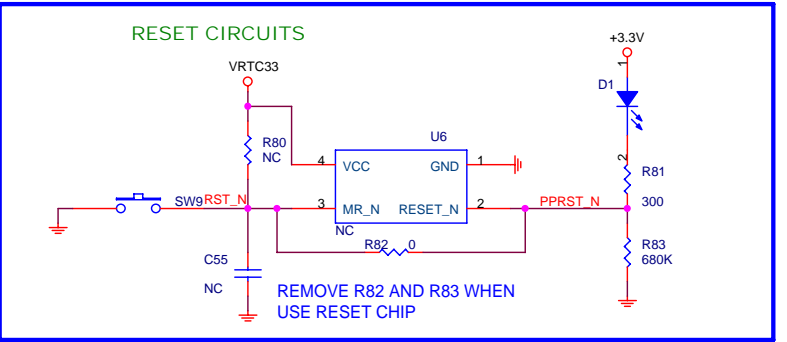
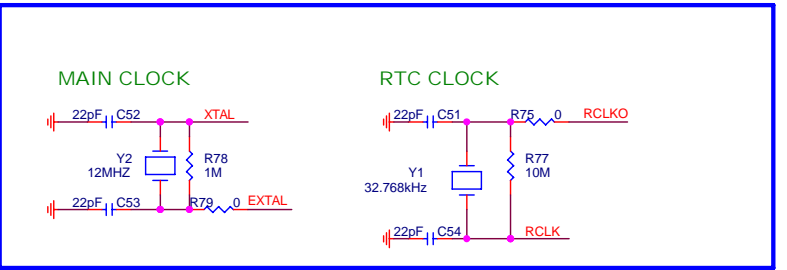
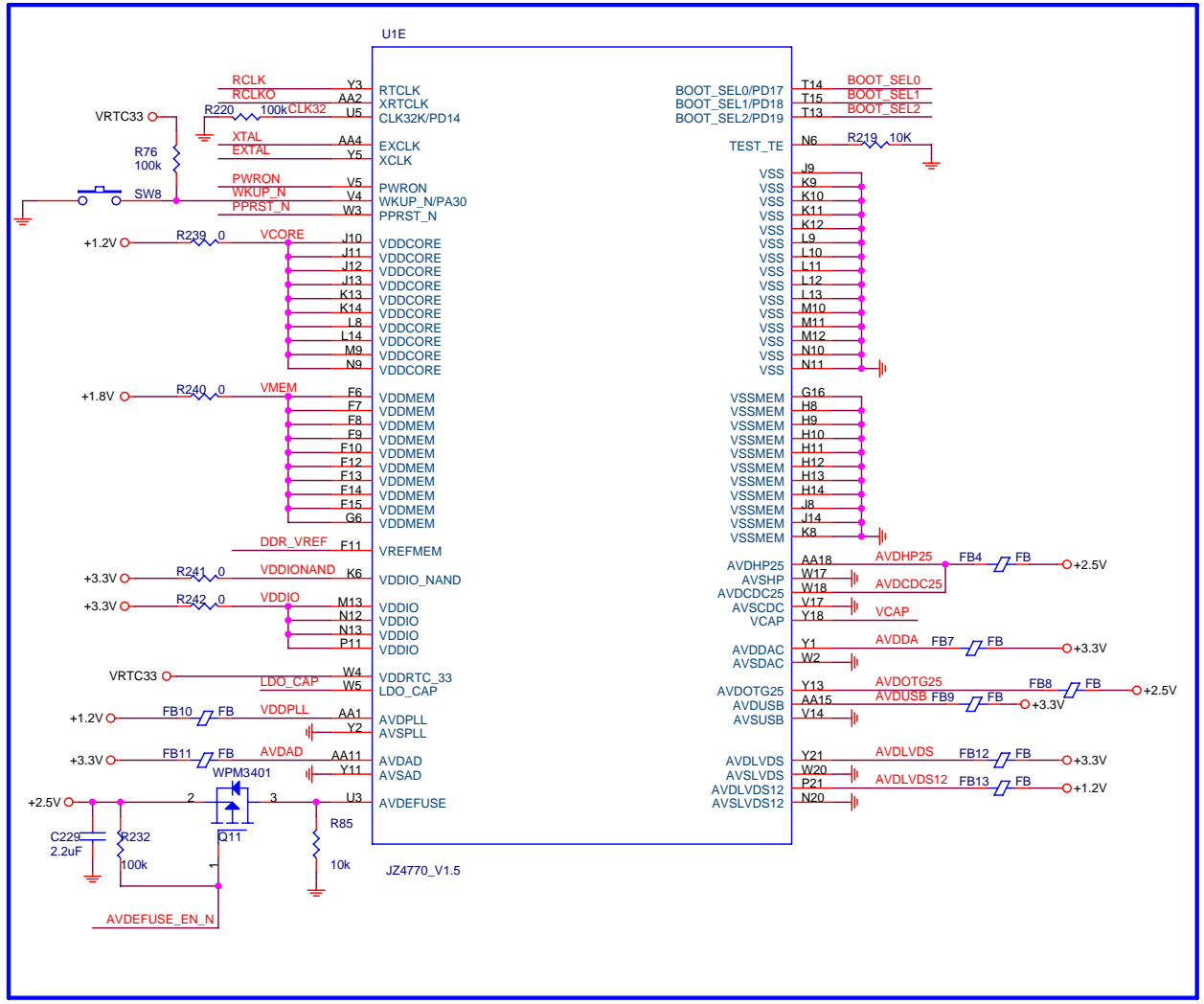
SD[0:15] CS1_N CS2_N CS3_N CS4_N FRB_N FRB1_N FWE_N FRE_N	SA1_ALE SA0_CLE KEY3 KEY4 BOOT_SEL2 BOOT_SEL1 BOOT_SELO KEY_INT AUX1	MSC0_D[0:7] MSC0_CLK MSC0_CMD SD0_CD_N SD0_WP_N SD0_VCC_EN_N	MSC1_CMD MSC1_D[0:3] SD1_CD_N MSC1_CLK SD1_VCC_EN_N SD1_CD_N
--	---	---	---



JZ4770_V1.5

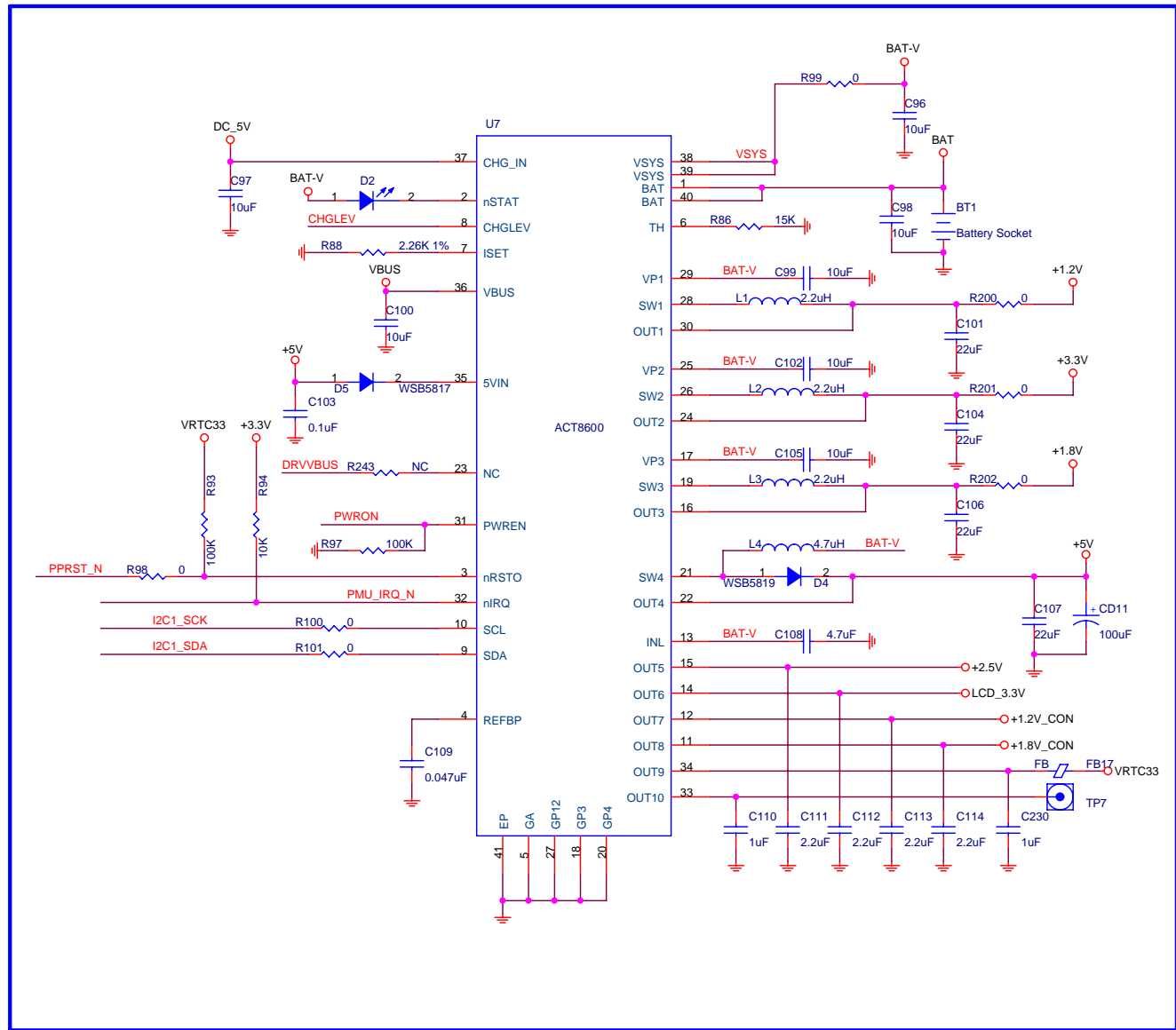
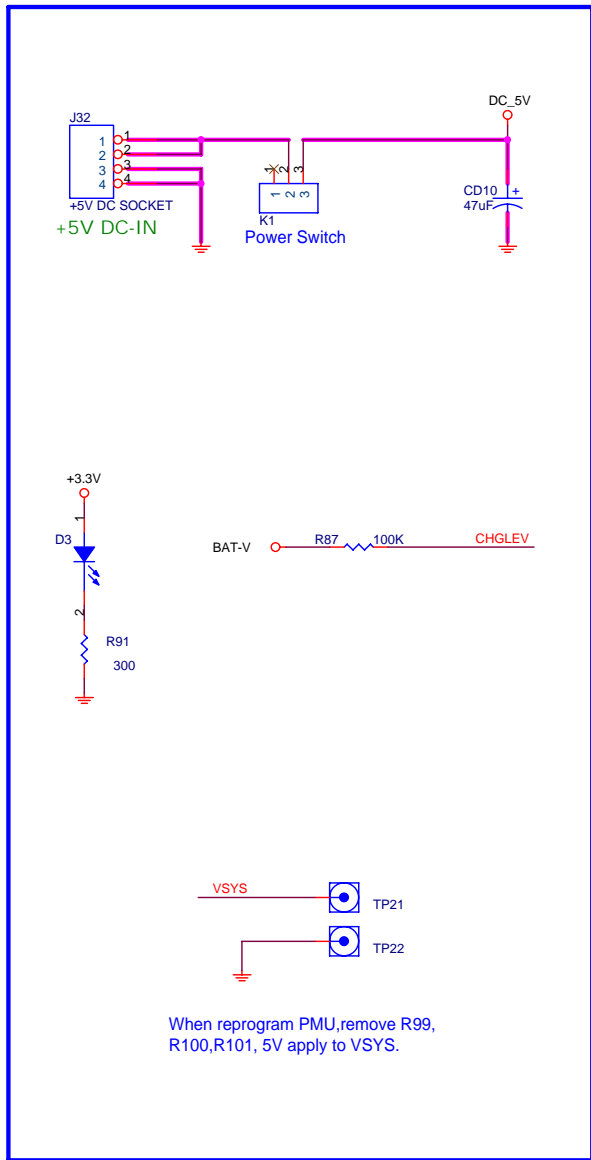


INGENIC SEMICONDUCTOR CO.,LTD		
Title	RD4770_PISCES	
Size	Document Number	Rev
B	UART/OWI/SPINOR	V1.2
Date:	Friday, April 20, 2012	Sheet 5 of 14



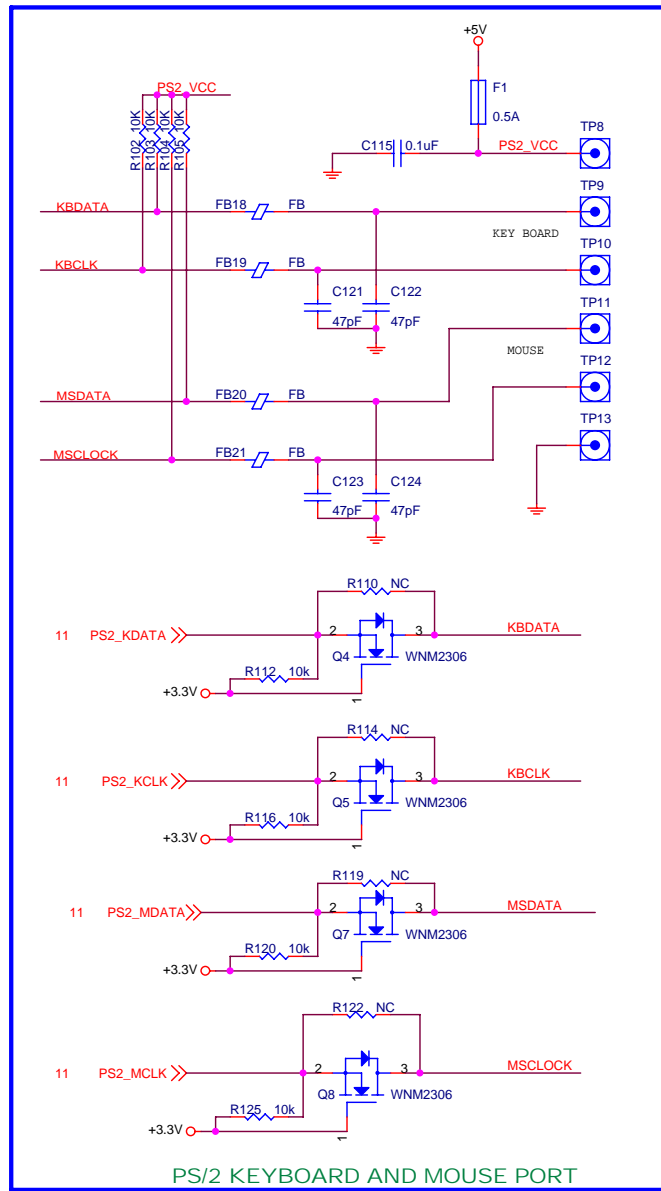
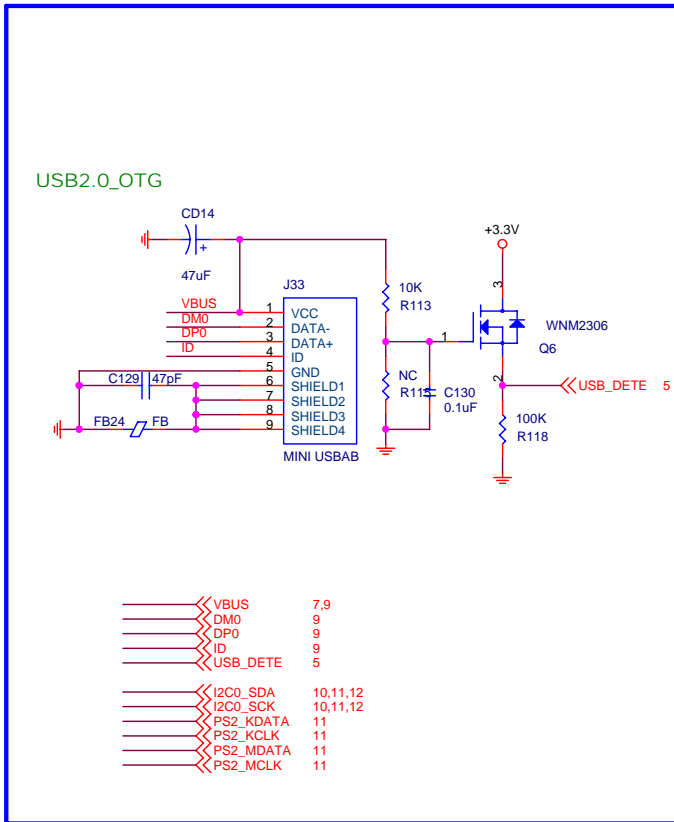
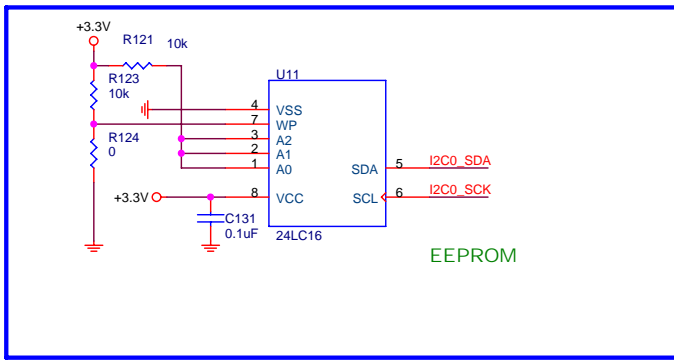
- >< DDR_VREF 3
- >< RST_N 12
- >< PWRON 7
- >< BOOT_SEL2 4
- >< BOOT_SEL1 4
- >< BOOT_SEL0 4
- >< RCLKO 10
- >< PPRST_N 7
- >< CLK32 10
- >< AVDEFUSE_EN_N 5

INGENIC SEMICONDUCTOR CO.,LTD		
Title RD4770_PISCES		
Size B	Document Number RESET	Rev V1.2
Date: Friday, April 20, 2012	Sheet 6	of 14

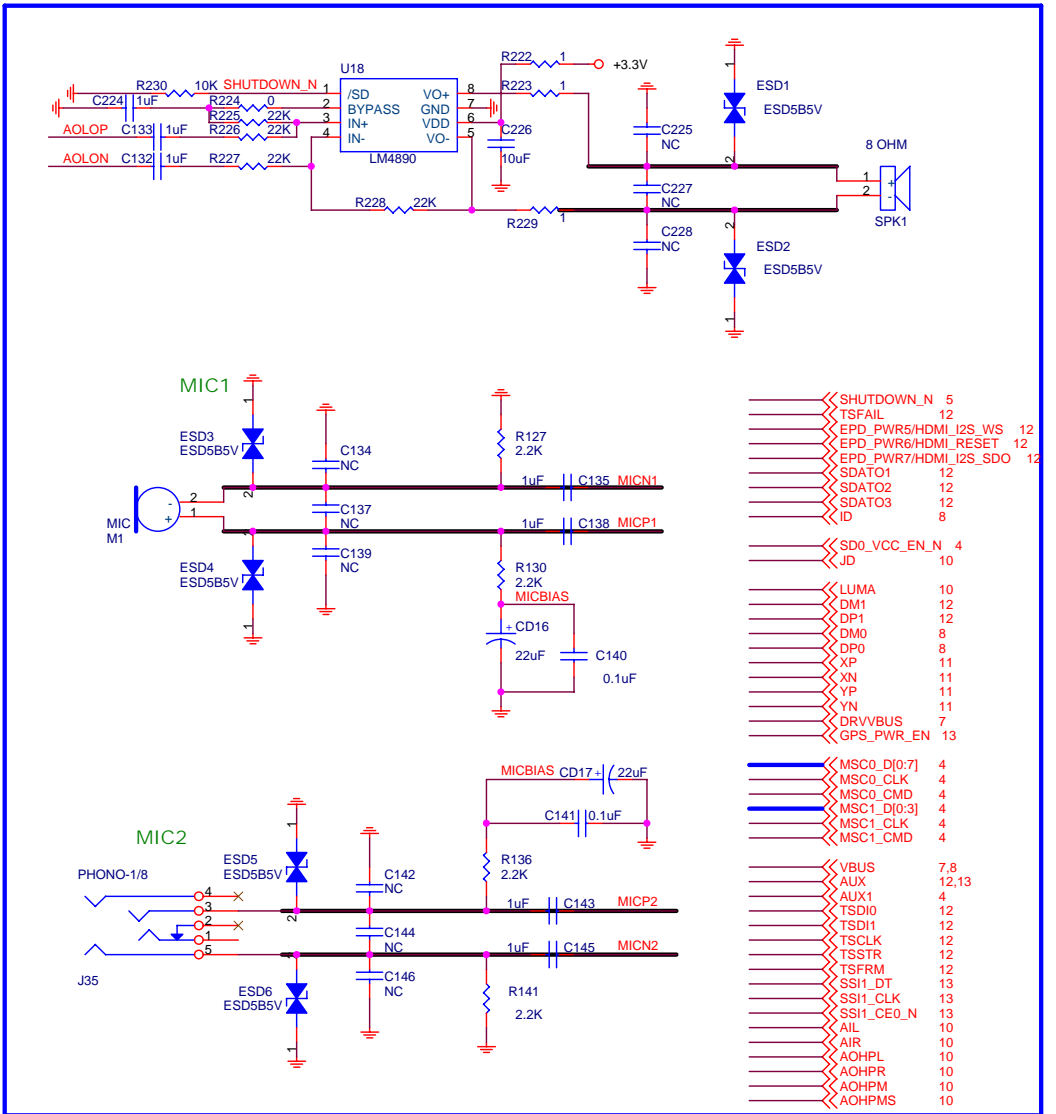
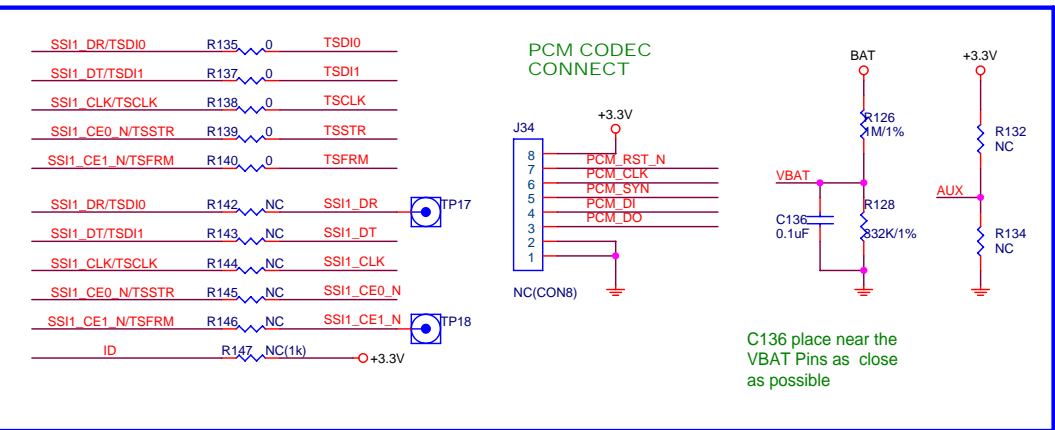
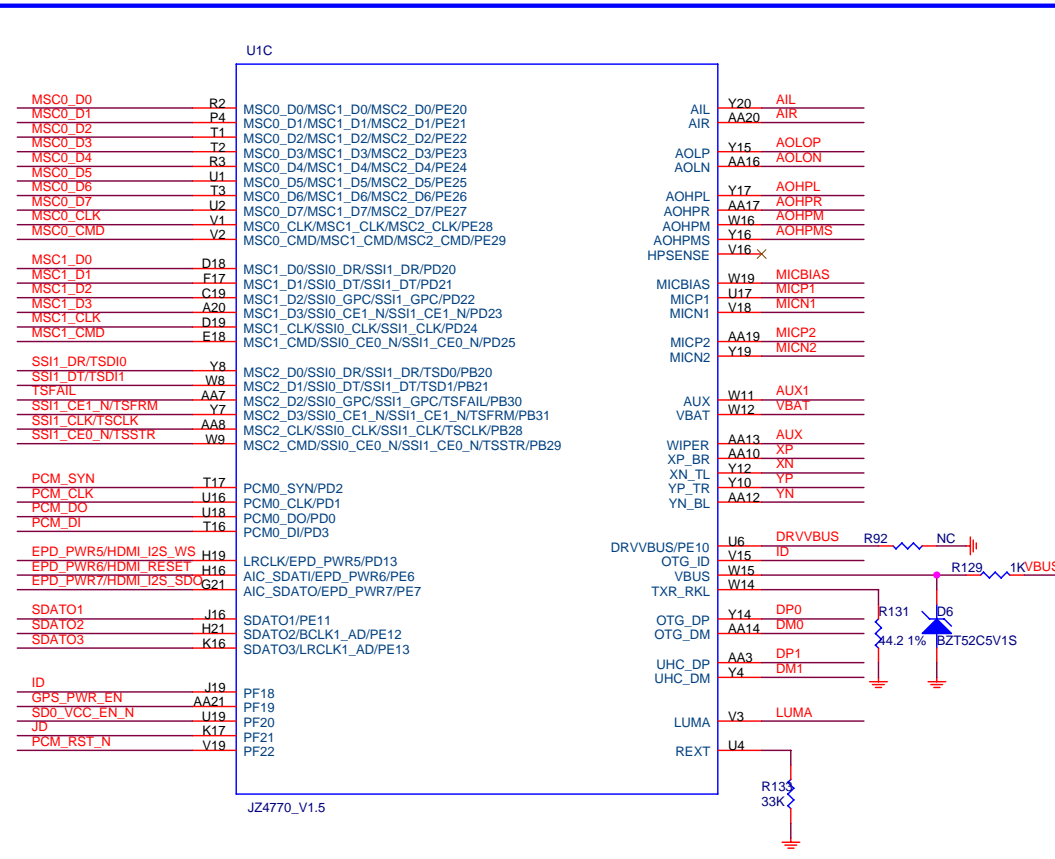


- I2C1_SCK 11
- I2C1_SDA 11
- VBUS 8,9
- DRVVBUS 9
- PWRON 6
- PMU_IRQ_N 5
- PPRST_N 6

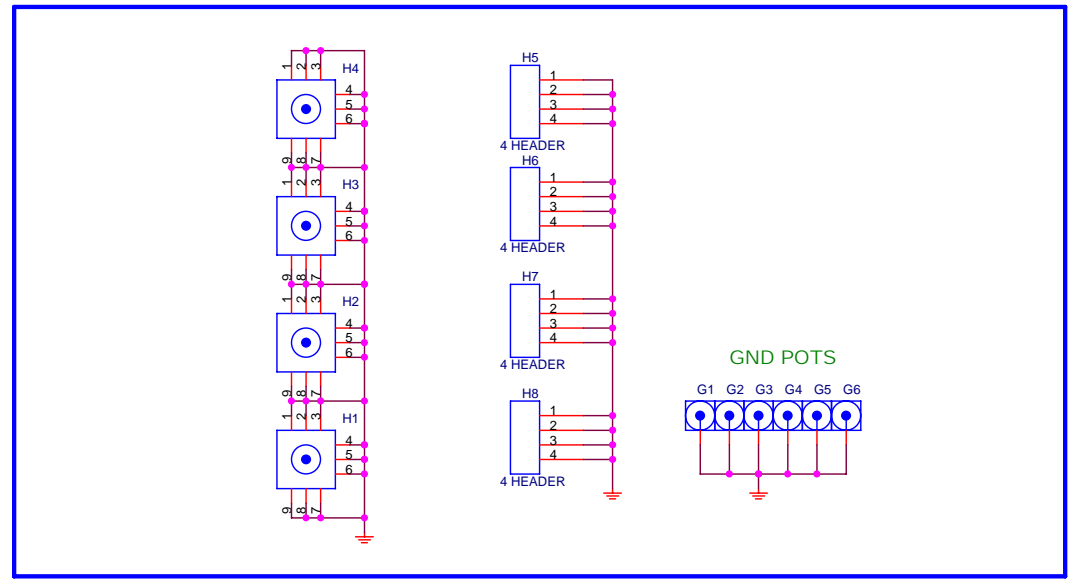
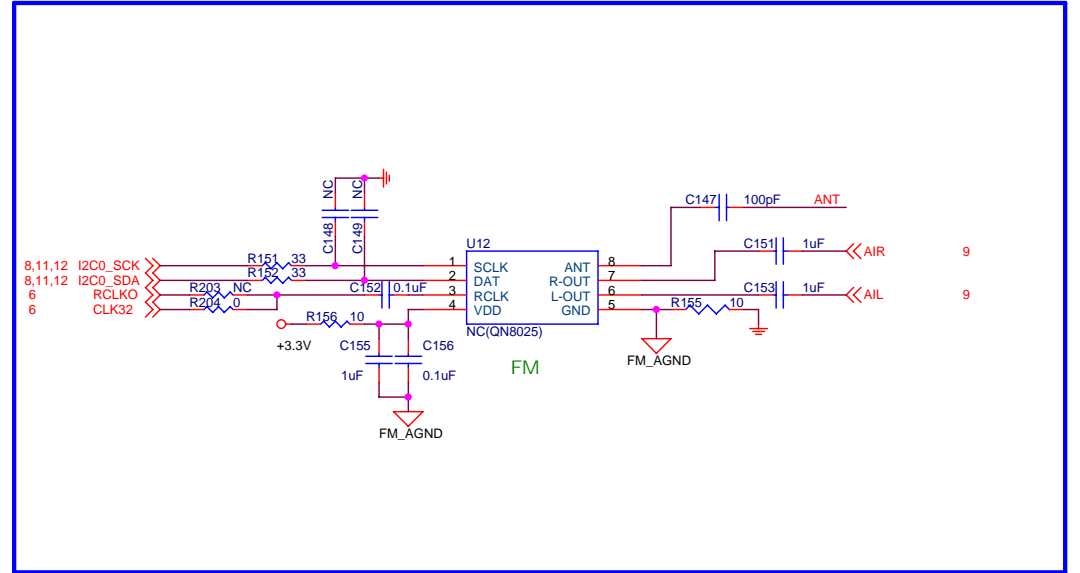
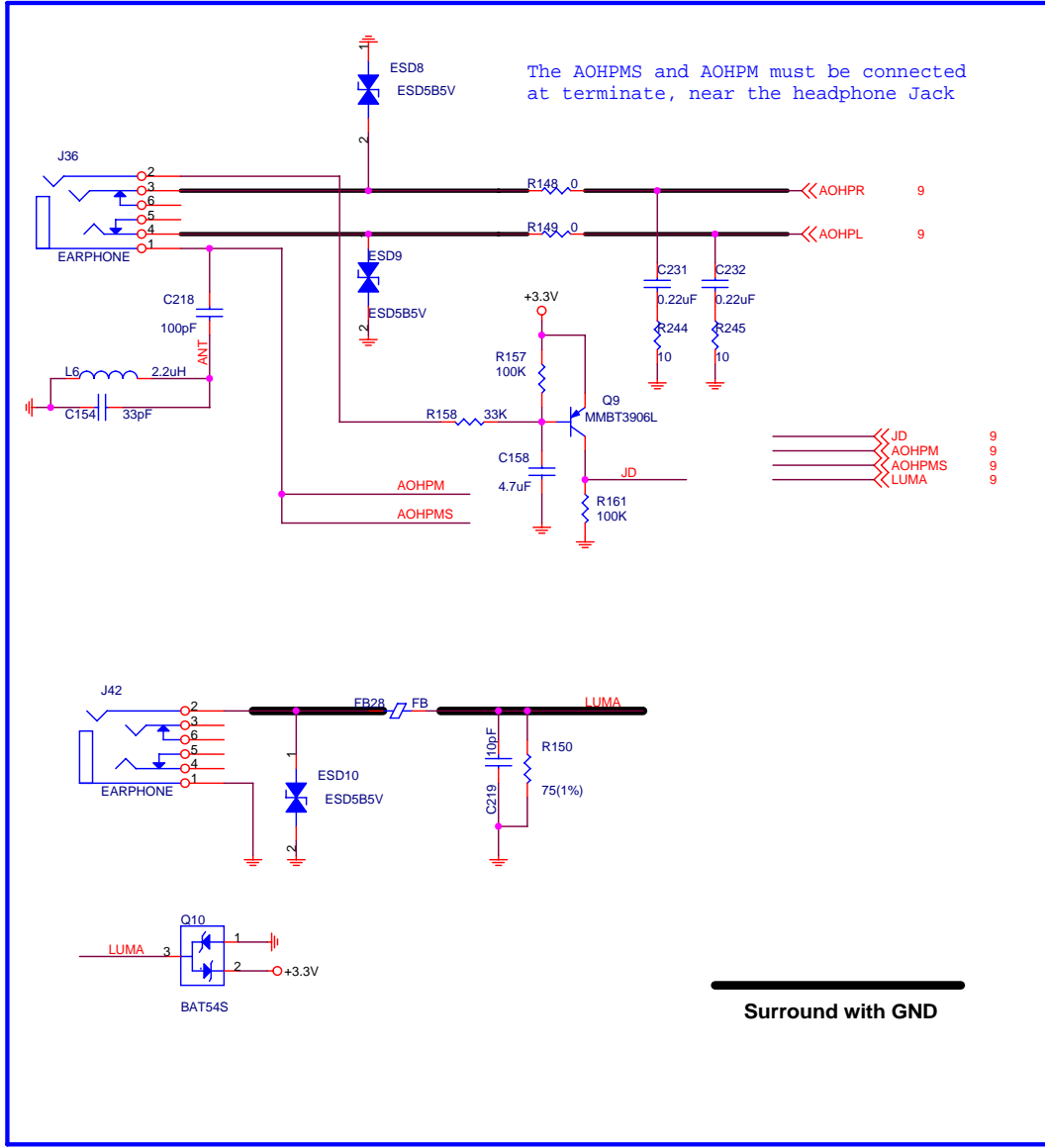
INGENIC SEMICONDUCTOR CO.,LTD	
Title RD4770_PISCES	
Size B	Document Number PMU
Date: Friday, April 20, 2012	Rev V1.2
Sheet 1	of 7



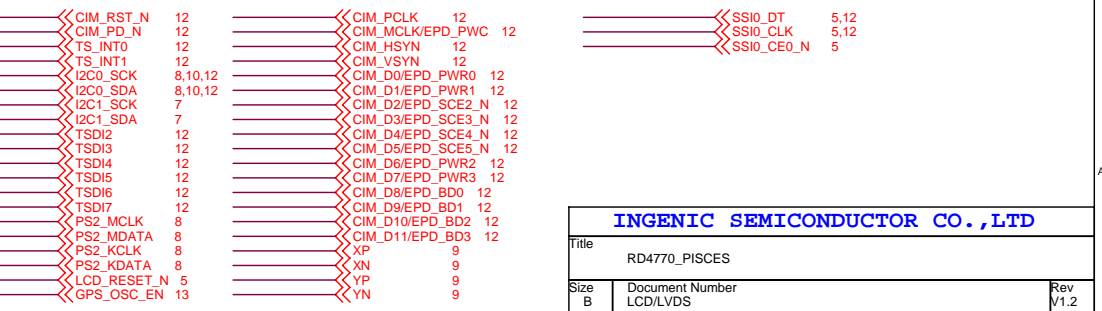
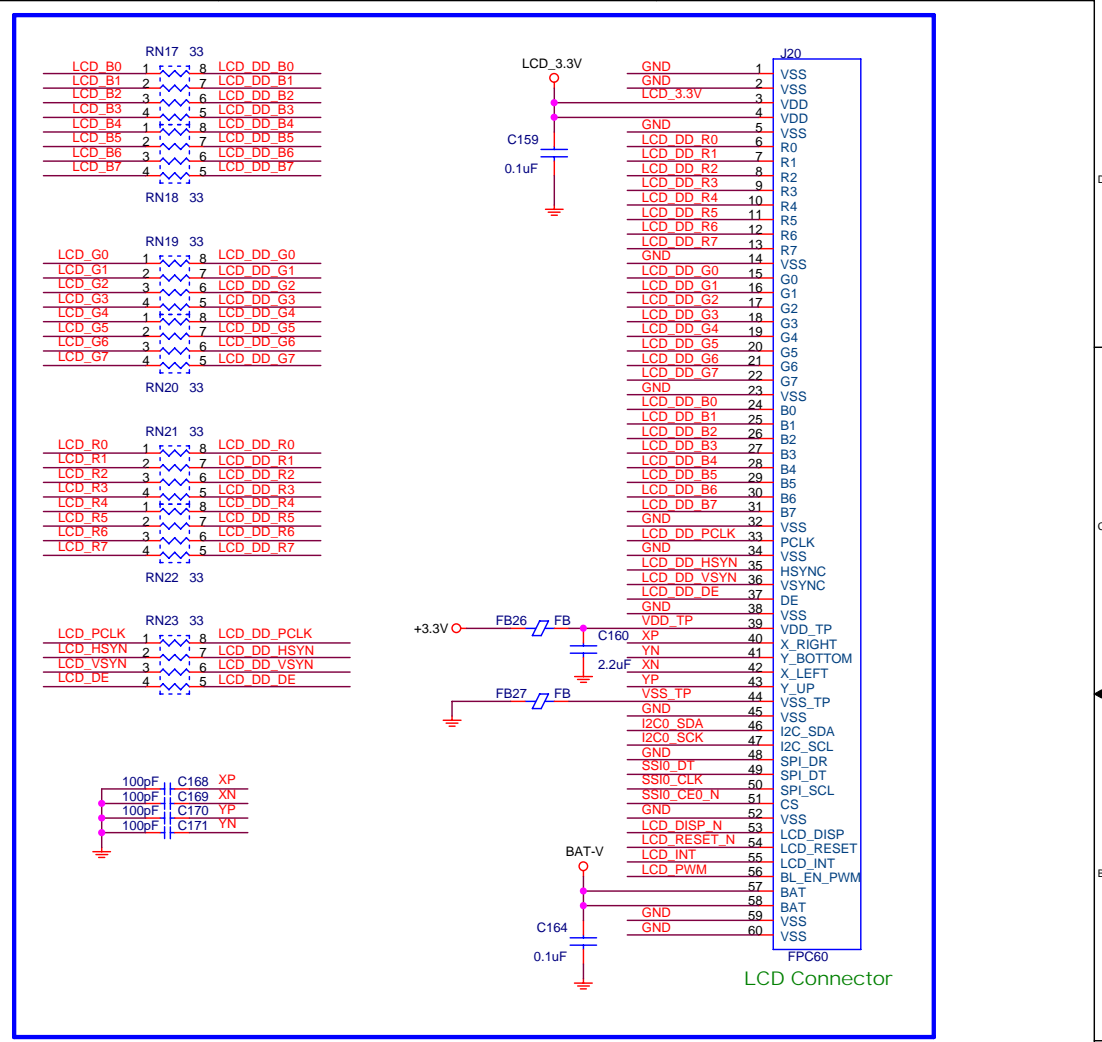
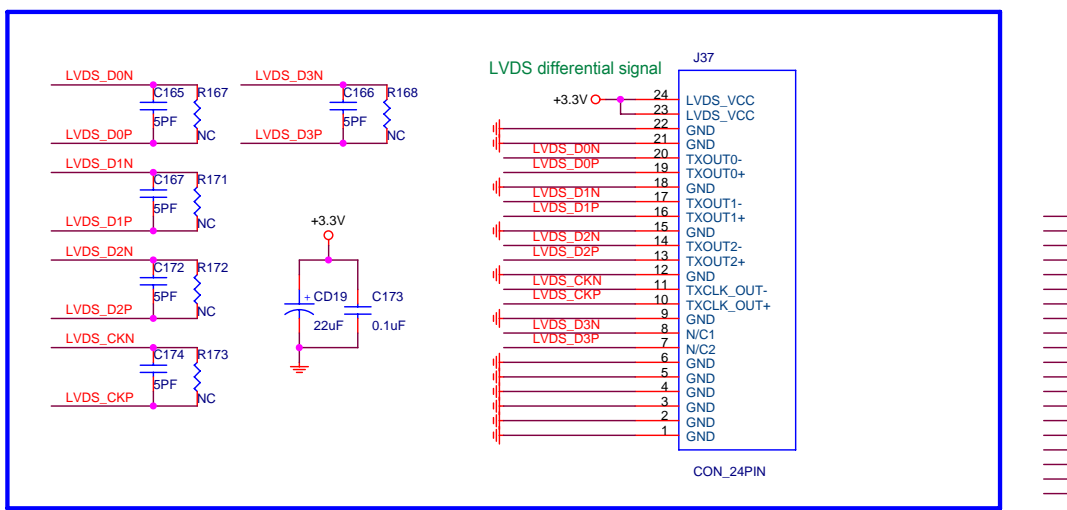
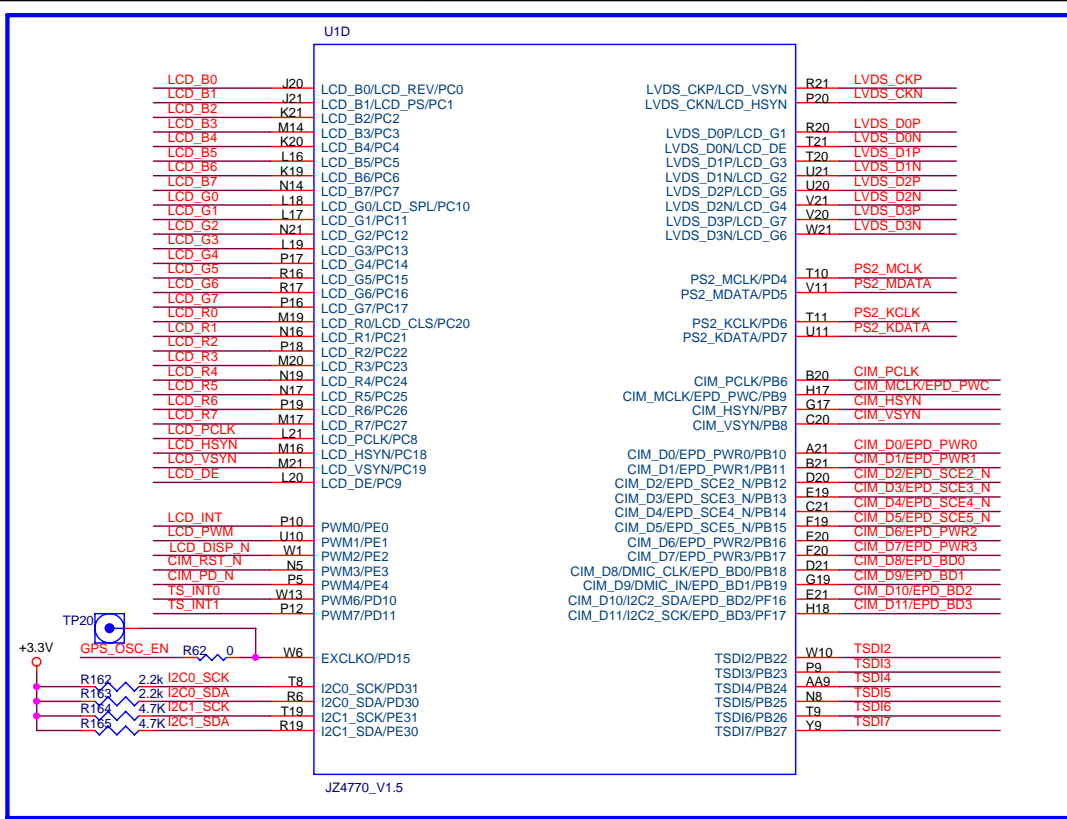
INGENIC SEMICONDUCTOR CO.,LTD		
Title RD4770_PISCES		
Size B	Document Number USB OTG/EEPROM/PS2	Rev V1.2
Date:	Friday, April 20, 2012	Sheet 8 of 14



INGENIC SEMICONDUCTOR CO.,LTD		
Title	RD4770_PISCES	
Size	Document Number	Rev
B	SPK/MIC/PCM	V1.2
Date:	Friday, April 20, 2012	Sheet 9 of 14

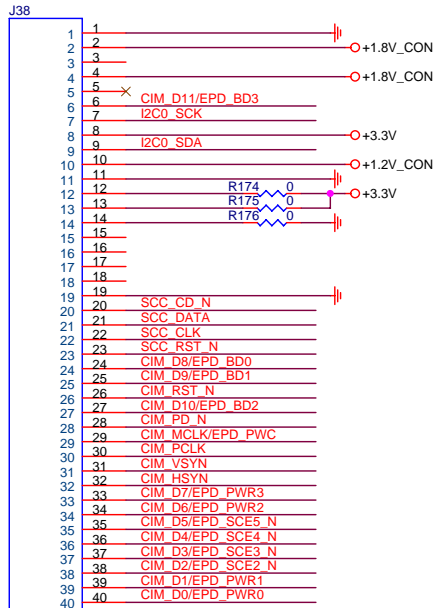


INGENIC SEMICONDUCTOR CO.,LTD		
Title	RD4770_PISCES	
Size	Document Number	Rev
B	AUDIO/VIDEO	V1.2
Date:	Friday, April 20, 2012	Sheet 10 of 14

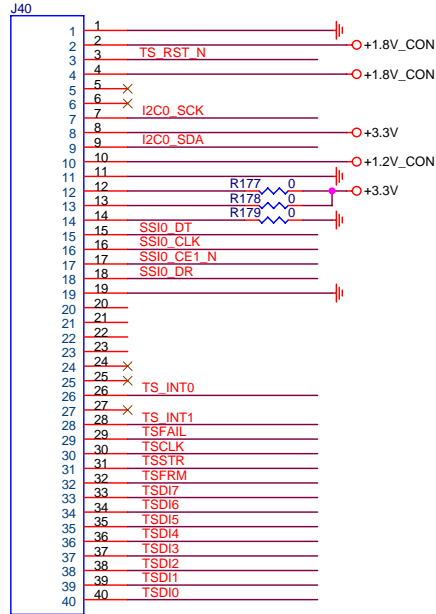


INGENIC SEMICONDUCTOR CO.,LTD			
Title	RD4770_PISCES		
Size	Document Number	Rev	
B	LCD/LVDS	V1.2	
Date:	Friday, April 20, 2012	Sheet	11 of 14

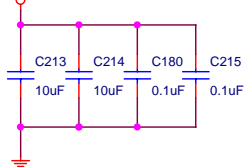
Camera Interface Connector



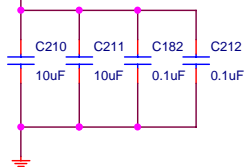
TS Interface Connector



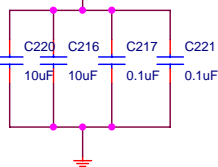
+1.2V_CON



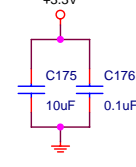
+1.8V_CON



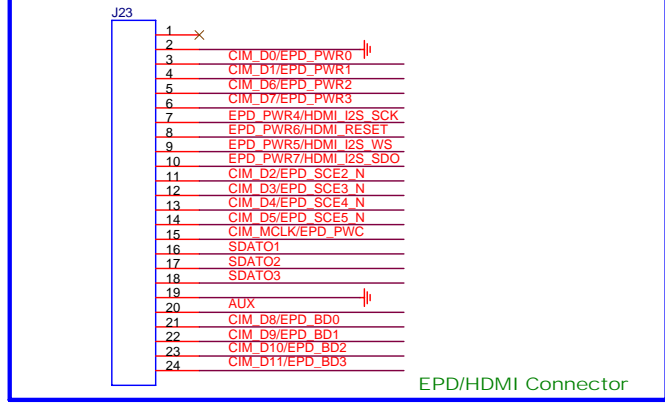
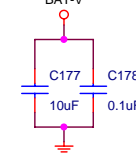
+3.3V



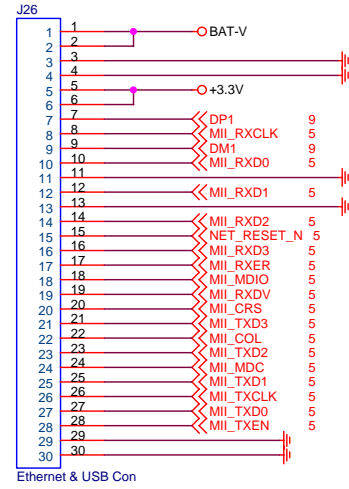
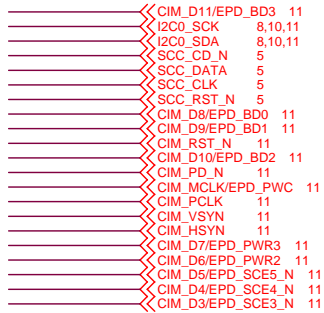
+3.3V



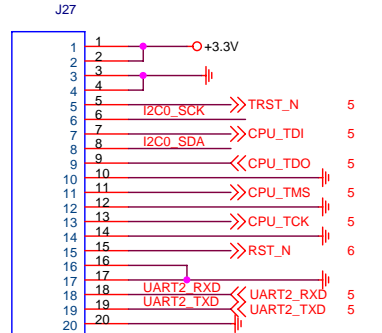
BAT-V



EPD/HDMI Connector



Ethernet & USB Con



JDI & Uart Con

INGENIC SEMICONDUCTOR CO.,LTD

Title		RD4770_PISCES
Size	Document Number	TS/CAMERA/EPD/JDI/ETHERNET
B		Rev V1.2
Date:	Friday, April 20, 2012	Sheet 12 of 14

GPS RF Receiver core

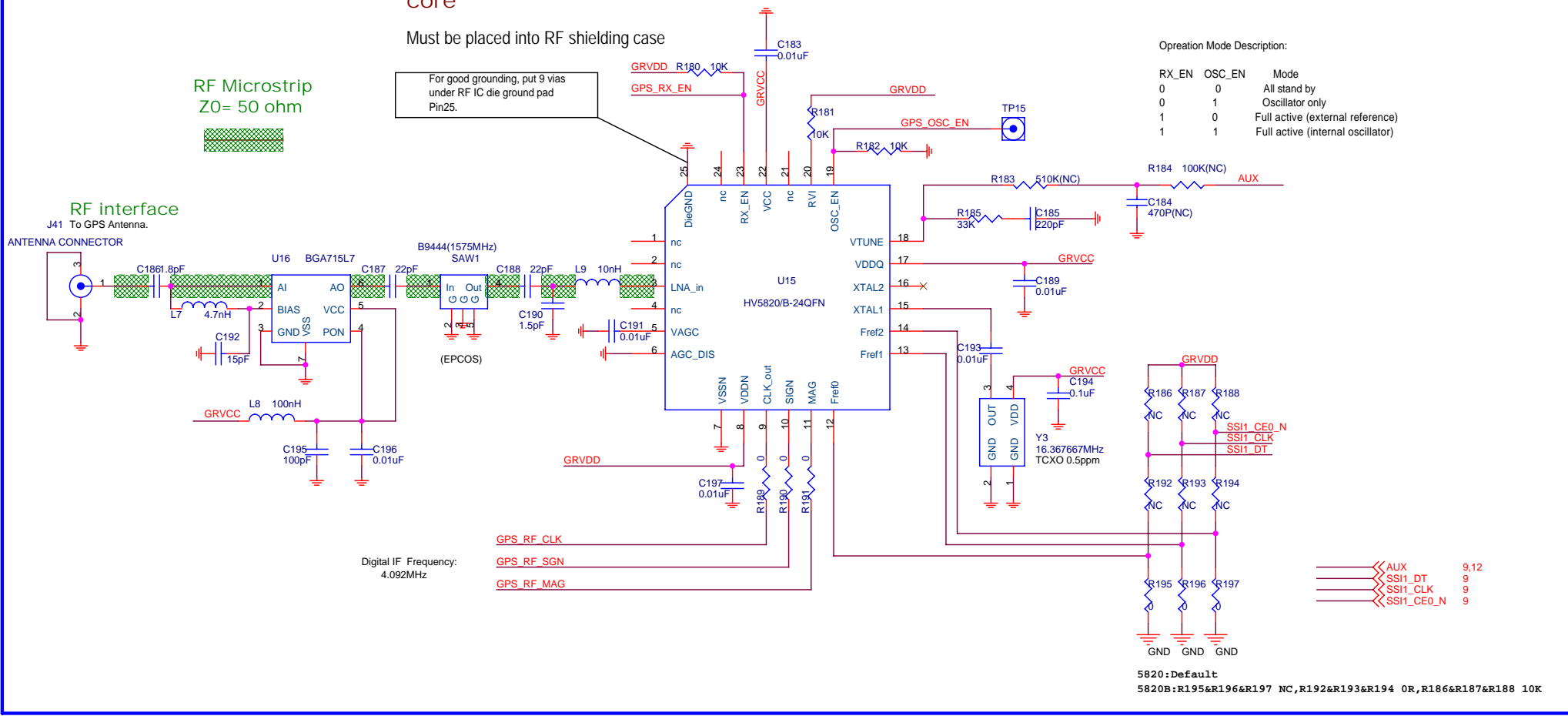
Must be placed into RF shielding case

For good grounding, put 9 vias under RF IC die ground pad

RF Microstrip
Z0 = 50 ohm

Operation Mode Description:

RX_EN	OSC_EN	Mode
0	0	All stand by
0	1	Oscillator only
1	0	Full active (external reference)
1	1	Full active (internal oscillator)

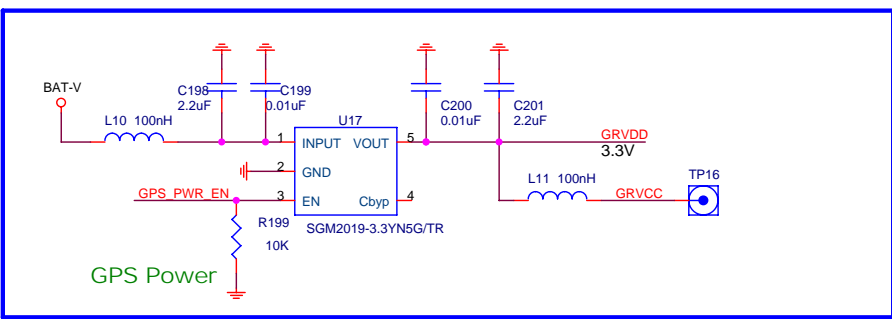


Digital IF Frequency: 4.092MHz

- GPS_RF_CLK
- GPS_RF_SGN
- GPS_RF_MAG

- AUX 9,12
- SS11_DT 9
- SS11_CLK 9
- SS11_CE0_N 9

5820:Default
5820B:R195&R196&R197 NC,R192&R193&R194 0R,R186&R187&R188 10K



- GPS_RX_EN 5
- GPS_OSC_EN 11
- GPS_RF_MAG 5
- GPS_RF_SGN 5
- GPS_RF_CLK 5
- GPS_PWR_EN 9

INGENIC SEMICONDUCTOR CO.,LTD		
Title RD4770_PISCES		
Size B	Document Number GPS	Rev V1.2
Date: Friday, April 20, 2012	Sheet 13	of 14

Data	Revision	Change
MAY.04 2011	Rev1.0	1. First released Revision
MAY.24 2011	Rev1.1	1.PAGE04: Delete R42,SW4. 2.PAGE04: Add R233-R238 for boot. 3.PAGE04: Change R36 from 10K to 100K . 4.PAGE05: Delete R63,R55. 5.PAGE06: R80,C55 NC. 6.PAGE07:Change PMU OUT2 and OUT3 . 7.PAGE07: Delete R90 and Q3,R98 is 0 8.PAGE07: Change R88 from 2.87K to 2.26K. 9.PAGE11: R167,R168,R171,R172,R173 NC.
July.4 2011	Rev1.1.1	1.PAGE04: R38,R39,R236,R237 NC;R52,R53 15K;R233,R234 1K.
Aug.1 2011	Rev1.2	1.PAGE06:FB2,3,5,6 replace with R239,240,241,242 . 2.PAGE10:delete R159 and HPSENSE net. 3.PAGE10:change R158 from NC to 33K. 4.PAGE07:PMU's 23pin change from DRVBUS to NC , add R243 NC between DRVBUS and PMU's 23 pin. . 5.PAGE09:R92 change from 100K to NC. 6.PAGE08:Q6 change from MMBT3904L to WNM2306,R115 is NC. 7.PAGE11:Change J37 pcb footprint from FPC20_1D25 to FPC24_0D5. 8.PAGE10:Add C231,C232,R244,R245 for improve headphone SN. 9.PAGE9:Add D6 for protect CPU's VBUS pin.

INGENIC SEMICONDUCTOR CO.,LTD		
Title	RD4770_PISCES	
Size B	Document Number REVISION HISTORY	Rev V1.2
Date:	Friday, April 20, 2012	Sheet 14 of 14