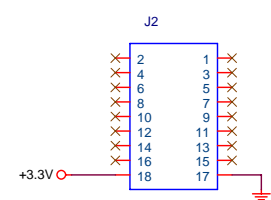
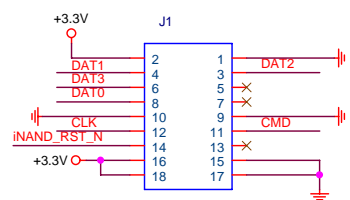
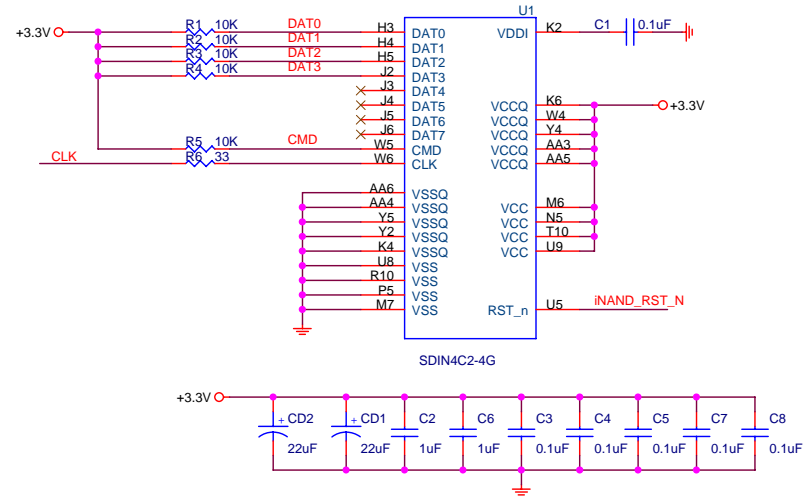


eMMC NAND Flash



INGENIC SEMICONDUCTOR CO.,LTD		
Title NANDFLASH_V1.6		
Size B	Document Number NANDFLASH	Rev V1.6
Date:	Wednesday, September 08, 2010	Sheet 1 of 1